

## VT235

Ballast Type:	Voltage Transformer
Input Voltage:	277Vac +5%,-10%
Input Frequency:	60Hz

Unit Color:	Raw
Unit Weight:	0.70 lbs.

### ELECTRICAL SPECIFICATIONS:

Line Voltage (V)	Output Voltage (V)	Max. Load (VA)	Wiring Diagram
277	120	25	400

1. VA is the apparent power while watts is the real power.
2. VA is always greater than or equal to watts.
3. VA only applies for AC while watts applies for both AC and DC.
4. VA is the power consumed by the device while watts is the work it does.
5. The ratio between the VA and the watts is the power factor.

### PERFORMANCE:

- Step-Down Voltage Transformer
- Clamped Core and Coil
- Meets ANSI Standard C82.11 for Ballast Requirements

### APPLICATION:

- Maximum Case Temperature 194°F/90°C
- Maximum Ambient Temperature 104°F/40°C
- Suitable for Powering 120V-240Vac Lighting Ballasts and LED Drivers from Commercial Building 277Vac Wiring

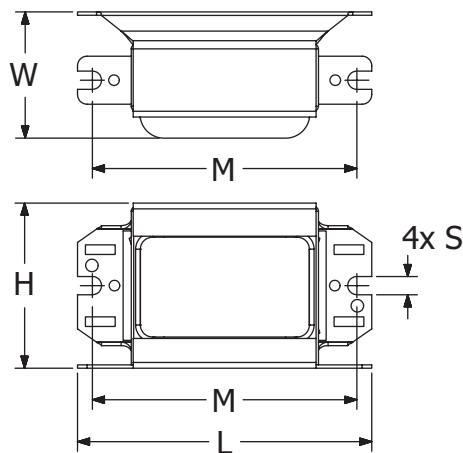
### SAFETY/STANDARDS:

- UL/935 Recognized Component (Type 1 Outdoor)
- No PCBs
- RoHS Compliant

### SKU INFORMATION:

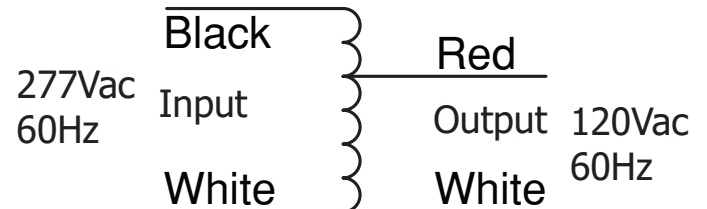
- 3P10133 (Version 2 - Leads Out Both Ends)

### CASE STYLE: CS-2X



L	W	H	M	S
3-1/16	1-3/8	1-23/32	2-3/4	3/16
3.07	1.32	1.72	2.76	0.19
7.08 cm	3.35 cm	4.37 cm	7.01 cm	0.48 cm

### WIRING DIAGRAM: WD-400



- Black: 12"
- White: 12"
- Red: 12"
- Tolerance: +1.00, -0.50"
- Strip: 0.50" ± 0.060"

### WARRANTY:

Robertson Worldwide warrants to the purchaser that this product will be free from defects in material or workmanship for a period of 2 years from date of manufacture when properly installed and under normal condition of use. Specifications subject to change without notice.

For more information on Robertson Worldwide products, visit [www.RobertsonLighting.com](http://www.RobertsonLighting.com)