

SSGPH287P

Ballast Type: Electromagnetic
 Input Voltage: 120VAC+5%,-10%
 Input Frequency: 60 Hz.

Starting Method: Preheat Self Start
 Lamp Connection: Series
 Unit Weight: 0.90 lb.

ELECTRICAL SPECIFICATION:

| Line Voltage (V) | Lamp Type | Approx. Lamp Length | Lamp Watts (W) | No. of Lamps | Line Current (A) | Input Power (W) | Power Factor | Max Current THD (%) | Current Crest Factor | Wiring Diagram | B.E.F. |
|------------------|--------------|---------------------|----------------|--------------|------------------|-----------------|--------------|---------------------|----------------------|----------------|--------|
| 120 | GPH162T5 | 6 | 8 | 1 | 0.42 | 14 | ≥0.28 | ≤15 | ≤1.7 | 006 | / |
| 120 | GPH178T5 | 7 | 9 | 1 | 0.42 | 14 | ≥0.28 | ≤15 | ≤1.7 | 006 | / |
| 120 | GPH212T5 | 8 | 10 | 1 | 0.42 | 15 | ≥0.30 | ≤15 | ≤1.7 | 006 | / |
| 120 | GPH229T5 | 9 | 12 | 1 | 0.42 | 15 | ≥0.30 | ≤15 | ≤1.7 | 006 | / |
| 120 | GPH254T5 | 10 | 12 | 1 | 0.42 | 16 | ≥0.32 | ≤15 | ≤1.7 | 006 | / |
| 120 | GPH262T5 | 10 | 13 | 1 | 0.42 | 16 | ≥0.32 | ≤15 | ≤1.7 | 006 | / |
| 120 | GPH287T5 | 11 | 14 | 1 | 0.42 | 17 | ≥0.34 | ≤15 | ≤1.7 | 006 | / |
| 120 | GPH305T5 | 12 | 15 | 1 | 0.42 | 18 | ≥0.36 | ≤15 | ≤1.7 | 006 | / |
| 120 | GPH330T5 | 13 | 16 | 1 | 0.42 | 20 | ≥0.40 | ≤15 | ≤1.7 | 006 | / |
| 120 | GPH356T5 | 14 | 17 | 1 | 0.42 | 21 | ≥0.42 | ≤15 | ≤1.7 | 006 | / |
| 120 | GPH406T5 | 16 | 19 | 1 | 0.42 | 25 | ≥0.50 | ≤15 | ≤1.7 | 006 | / |
| 120 | G20T5 | 16 | 20 | 1 | 0.42 | 25 | ≥0.52 | ≤15 | ≤1.7 | 006 | / |
| 120 | GPH457T5 | 18 | 22 | 1 | 0.42 | 26 | ≥0.52 | ≤15 | ≤1.7 | 006 | / |
| 120 | G20T10 | 23 | 19 | 1 | 0.37 | 23 | ≥0.52 | ≤15 | ≤1.7 | 006 | / |
| 120 | GU2210T5 | 7 U | 16 | 1 | 0.42 | 22 | ≥0.43 | ≤15 | ≤1.7 | 006 | / |
| 120 | GU7610T5 | 7 U | 16 | 1 | 0.42 | 22 | ≥0.43 | ≤15 | ≤1.7 | 006 | / |
| 120 | TUV 18W PL-L | 9 | 18 | 1 | 0.38 | 23 | ≥0.51 | ≤15 | ≤1.7 | 006 | / |

PERFORMANCE:

- Electromagnetic reactor type self start ballast
- Series operation
- Normal power factor
- Encased & potted
- Sound Rated A
- Meets ANSI standard C82.1

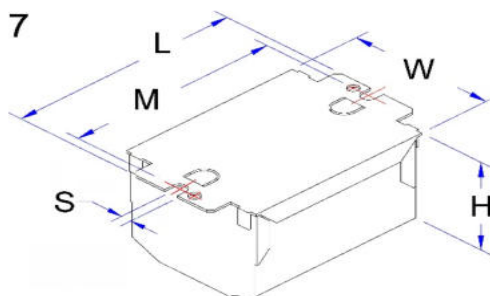
APPLICATION:

- Maximum case temperature: 194°F/90°C
- Maximum ambient temperature: 140°F/60°C
- Minimum starting temperature: 50°F/10°C
- Lamp starts: >6,000 starts
- Remote mounting: 10ft.

SAFETY:

- UL935 (Class P, Type HL, Type 1 outdoor) listed
- CSA/C22.2 certified
- Automatic reset thermal protector
- No PCB's

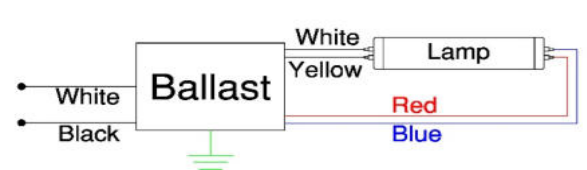
STYLE:



| H | W | L | M | S |
|---------|---------|---------|---------|---------|
| 1 7/16 | 1 7/8 | 3 | 2 3/4 | 7/32 |
| 1.44 | 1.94 | 4.00 | 3.75 | 0.22 |
| 3.66 cm | 4.78 cm | 7.62 cm | 6.99 cm | 0.47 cm |

WIRING DIAGRAM:

006



Standard Lead Lengths:

- Blk: 6"
- Wht: 6"
- Blu: 15"
- Red: 15"
- Yel: 15"
- Wht: 15"

* 3/8" Strip

WARRANTY

Robertson Worldwide warrants to the purchaser that this ballast will be free from defects in material or workmanship for a period of 2 years from date of manufacture when properly installed and under normal conditions of use. For more information on Robertson Worldwide's ballasts, call 1-800-323-5633 or visit www.robertsonww.com. Specifications subject to change without notice.