

SP4856B1

Ballast Type: Electromagnetic
 Input Voltage: 120VAC +5%,-10%
 Input Frequency: 50-60Hz

Starting Method: Preheat Start
 Lamp Connection: Series

Unit Color: Raw
 Unit Weight: 0.70 lbs.

ELECTRICAL SPECIFICATIONS:

Line Voltage (V)	Lamp Type	Lamp Watts	No. of Lamps	Line Current (A)	Input Power (W)	Power Factor	Max Current THD (%)	Current Crest Factor	Ballast Factor	Wiring Diagram
120	F8T5*	8	1	0.15	9	≥ 0.50	≤ 10	≤ 1.7	1.00	001
120	F6T5	6	1	0.16	9	≥ 0.45	≤ 10	≤ 1.7	1.00	001
120	F4T5	4	1	0.17	8	≥ 0.40	≤ 10	≤ 1.7	1.00	001
120	CFT9W/G23	9	1	0.18	11	≥ 0.52	≤ 15	≤ 1.7	0.95	101
120	CFT7W/G23	7	1	0.15	11	≥ 0.50	≤ 15	≤ 1.7	0.90	101

* Primary Lamp Type

PERFORMANCE:

- Electromagnetic Reactor Type Ballast
- Preheat Start
- Series Operation
- Normal Power Factor
- Normal Ballast Factor
- Clamped Core and Coil
- Sound Rated A
- Meets ANSI Standard C82.1 for Ballast Requirements

APPLICATION:

- Maximum Case Temperature: 194°F/90°C
- Maximum Ambient Temperature: 104°F/40°C
- Minimum Starting Temperature for Linear: 50°F/10°C
- Minimum Starting Temperature for CFL: 0°F/-18°C
- Remote Mounting: 10 ft. Max. Lead Length, 18AWG
- Class B Insulation System: 130°C

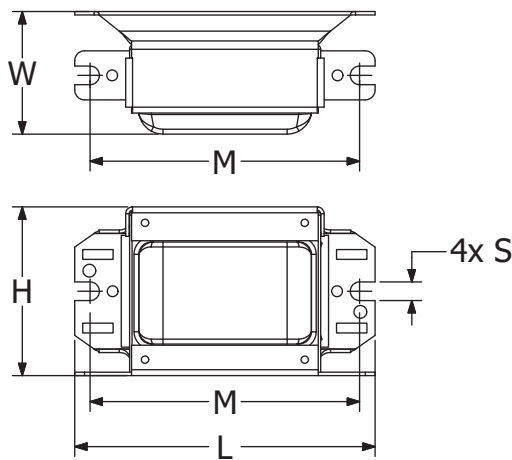
SAFETY/STANDARDS:

- No PCB's
- RoHS Compliant

SKU INFORMATION:

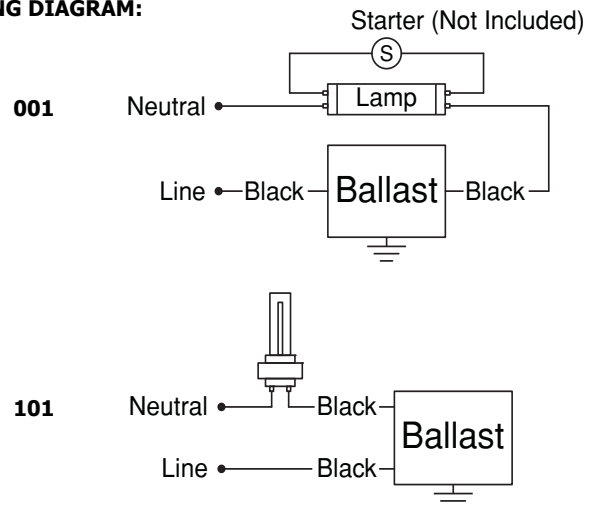
- 3P10089 (Version 1 - Leads Out One End)

CASE STYLE: 2



L	W	H	M	S
3 1/16	1 2/8	1 12/16	2 12/16	3/16
3.07	1.25	1.72	2.75	0.19
7.78 cm	3.18 cm	4.34 cm	6.99 cm	0.47 cm

WIRING DIAGRAM:



- Ballast lead connections are interchangeable.
- Black: (2) 16.50"
 - Tolerance: ± 0.50
 - Strip: 0.375" ± 0.060

WARRANTY:

Robertson Worldwide warrants to the purchaser that this ballast will be free from defects in material or workmanship for a period of 2 years from date of manufacture when properly installed and under normal condition of use. For more information on Robertson Worldwide ballasts, visit www.robertsonlighting.com Specifications subject to change without notice.