

**SP48**

Ballast Type: Electromagnetic  
 Input Voltage: 120VAC+5%,-10%  
 Input Frequency: 60 Hz.

Starting Method: Preheat  
 Lamp Connection: Series  
 Unit Color: Raw

Unit Weight: 0.55 lb  
 Carton Quantity: 50  
 Skid Quantity: 3000

**ELECTRICAL SPECIFICATION:**

Line Voltage (V)	Lamp Type	Lamp Watts	No. of Lamps	Line Current (A)	Input Power (W)	Power Factor	Max Current THD (%)	Current Crest Factor	Ballast Factor	Wiring Diagram	B.E.F.
120	F4T5	4	1	0.17	8	≤ 0.40	≤10	≤1.7	1.00	001	12.50
120	F6T5	6	1	0.16	9	≤ 0.45	≤10	≤1.7	1.00	001	11.11
120	F8T5	8	1	0.15	9	≤ 0.50	≤10	≤1.7	1.00	001	11.11

**PERFORMANCE:**

- Electromagnetic reactor type ballast
- Preheat start
- Series operation
- Normal power factor
- Clamped core and coil
- Sound rated A
- Meets ANSI C82.1

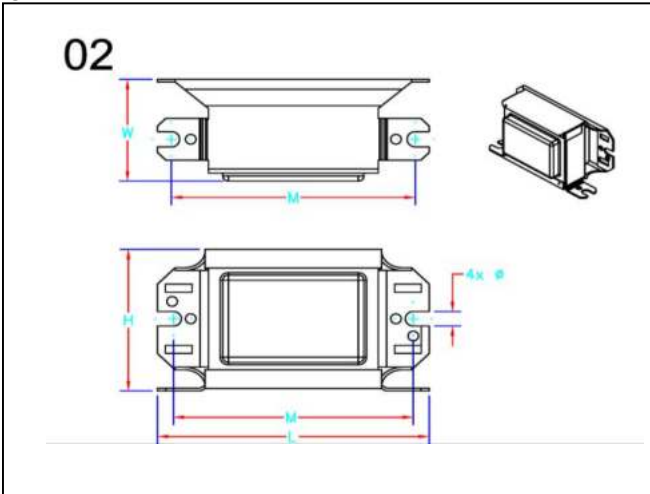
**APPLICATION:**

- Maximum case temperature: 194°F/90°C
- Maximum ambient temperature: 104°F/40°C
- Minimum starting temperature Linear: 50°F/10°C
- Remote mounting: 10ft.

**SAFETY:**

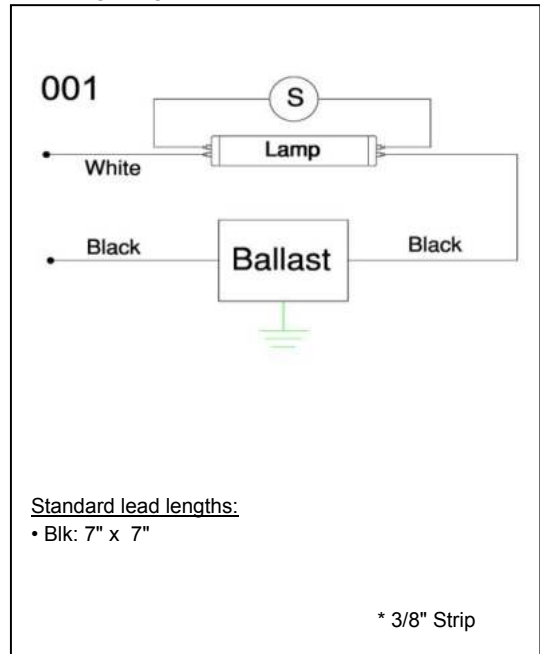
- UL/935 (Type 1 outdoor) listed
- CSA/C22.2 certified
- No PCB's
- RoHS Compliant

**STYLE:**



H	W	L	M	Ø
1 23/32	1 1/4	3 1/16	2 3/4	3/16
1.72	1.25	3.06	2.75	0.19
4.34 cm	3.18 cm	7.77 cm	6.99 cm	0.47 cm

**WIRING DIAGRAM:**



**WARRANTY**

Robertson Worldwide warrants to the purchaser that this ballast will be free from defects in material or workmanship for a period of 2 years from date of manufacture when properly installed and under normal conditions of use. For more information on Robertson Worldwide's ballasts, call 1-800-323-5633 or visit www.robertsonww.com. Specifications subject to change without notice.

Revised 12/17/10