

SP2P

Ballast Type: Electromagnetic
 Input Voltage: 120VAC+5%,-10%
 Input Frequency: 60 Hz.

Starting Method: Preheat
 Lamp Connection: Series
 Unit Weight: 0.6 lb.

ELECTRICAL SPECIFICATION:

Line Voltage (V)	Lamp Type	Lamp Watts	No. of Lamps	Line Current (A)	Input Power (W)	Power Factor	Max Current THD (%)	Current Crest Factor	Ballast Factor	Wiring Diagram
120	CFT13W/GX23 CFQ13W/GX23	13	1	0.35	17	N	<15	<1.7	1.0	101
120	F20T12	20	1	0.35	20	N	<15	<1.7	0.9	001
120	F15T12	15	1	0.35	20	N	<15	<1.7	1.0	001
120	F15T8	15	1	0.35	20	N	<15	<1.7	1.0	001

PERFORMANCE:

- Electromagnetic reactor type ballast
- Normal power factor
- Series operation
- Sound rated A
- Clamped core and coil
- Meets ANSI C82.1

APPLICATION:

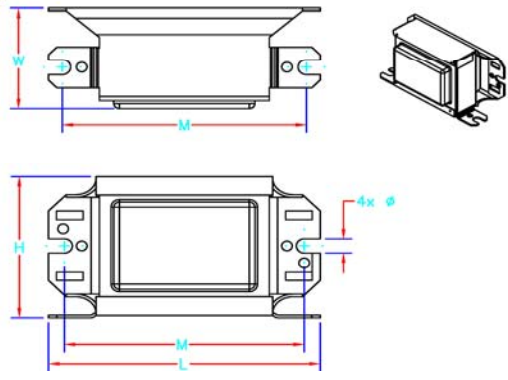
- Maximum case temperature: 194°F/90°C
- Maximum ambient temperature: 104°F/40°C
- Minimum starting temperature CFL: 32°F/0°C
- Minimum starting temperature Linear: 50°F/10°C
- Remote mounting: 10ft.

SAFETY:

- UL/935 (Class P, Type 1 outdoor) listed
- CSA/C22.2 certified
- No PCB's

STYLE:

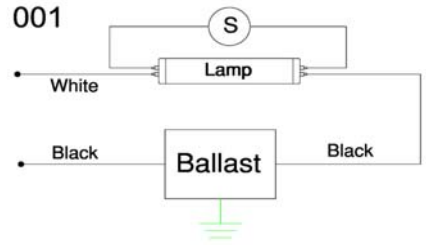
02



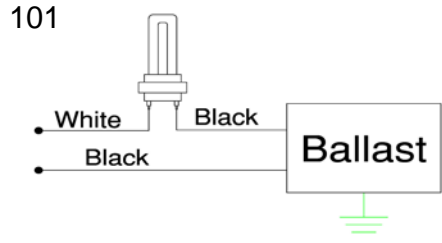
H	W	L	M	Ø
1 23/32	1 1/4	3 1/16	2 3/4	3/16
1.72	1.25	3.06	2.75	0.19
4.34 cm	3.18 cm	7.77 cm	6.99 cm	0.47 cm

WIRING DIAGRAM:

001



101



Standard lead length:

- Black 7 x 15" * 3/8" Strip

WARRANTY

Robertson Worldwide warrants to the purchaser that this ballast will be free from defects in material or workmanship for a period of 2 years from date of manufacture when properly installed and under normal conditions of use. For more information on Robertson Worldwide's ballasts, call 1-800-323-5633 or visit www.robertsonww.com. For our energy star compliant ballasts, visit www.nema.org/lampballastmatrix/

Revised 11/02/04

ROBERTSON WORLDWIDE

 13611 Thornton Rd, Blue Island, IL 60406, TEL: 1-800-323-5633, FAX: 1-877-388-2420, www.robertsonww.com