

SP22FMP

Ballast Type:	Electromagnetic
Input Voltage:	120VAC+5%,-10%
Input Frequency:	60 Hz.

Starting Method:	Preheat
Lamp Connection:	Series
Unit Weight	0.80 lb.

ELECTRICAL SPECIFICATION:

Line Voltage (V)	Lamp Type	Lamp Watts	No. of Lamps	Line Current (A)	Input Power (W)	Power Factor	Max Current THD (%)	Current Crest Factor	Ballast Factor	Wiring Diagram	B.E.F.
120	CFQ20W/GX32d	20	1	0.45	25	≥0.52	≤10	≤1.7	1.00	101	4.00

PERFORMANCE:

- Electromagnetic reactor type ballast
- Preheat start
- Series operation
- Normal power factor
- Clamped core and coil
- Sound rated A
- Meets ANSI C82.1

APPLICATION:

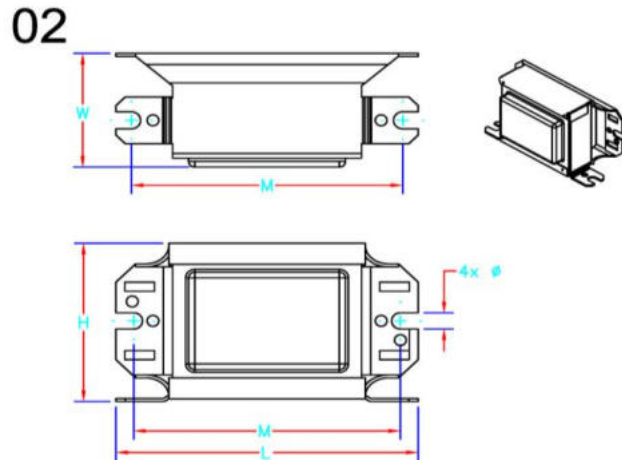
- Maximum case temperature: 194°F/90°C
- Maximum ambient temperature: 104°F/40°C
- Minimum starting temperature CFL: 32°F/0°C
- Remote mounting: 10ft.

SAFETY:

- UL/935 (Class P, Type 1 outdoor) listed
- CSA/C22.2 Certified
- Automatic reset thermal protector
- No PCB's
- RoHS Compliant

STYLE:

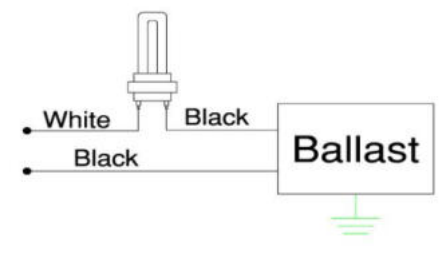
2Y



H	W	L	M	Ø
1 25/32	1 1/2	3 1/16	2 3/4	3/16
1.78	1.50	3.06	2.75	0.19
4.52 cm	3.81 cm	7.77 cm	6.99 cm	0.47 cm

WIRING DIAGRAM:

101



Standard lead length:
• Black (2) 7" * 3/8" Strip

WARRANTY

Robertson Worldwide warrants to the purchaser that this ballast will be free from defects in material or workmanship for a period of 2 years from date of manufacture when properly installed and under normal conditions of use. For more information on Robertson Worldwide's ballasts, call 1-800-323-5633 or visit www.robertsonww.com. Specifications subject to change without notice.

Revised 12/17/10

ROBERTSON WORLDWIDE