

SP195P

Ballast Type: Electromagnetic
 Input Voltage: 120VAC+5%,-10%
 Input Frequency: 50 Hz.

Starting Method: Preheat
 Lamp Connection: Series
 Unit Color/Unit Weight: Raw/0.68 lb.

ELECTRICAL SPECIFICATION:

Line Voltage (V)	Lamp Type	Lamp Watts	No. of Lamps	Line Current (A)	Input Power (W)	Power Factor	Max Current THD (%)	Current Crest Factor	Ballast Factor	Wiring Diagram	B.E.F.
120	F18T8/24	18	1	0.30	17	≥0.50	≤12	≤1.6	0.80	001	4.71
120	F18T8/26	18	1	0.27	17	≥0.55	≤12	≤1.5	0.78	001	4.59
120	F18T8/28	19	1	0.26	17	≥0.55	≤12	≤1.5	0.75	001	4.41
120	F18T8/30	19	1	0.23	16	≥0.60	≤13	≤1.5	0.70	001	4.38

PERFORMANCE:

- Electromagnetic reactor type ballast
- Preheat start
- Series operation
- Normal power factor
- Clamped core and coil
- Sound rated A
- Meets ANSI C82.1

APPLICATION:

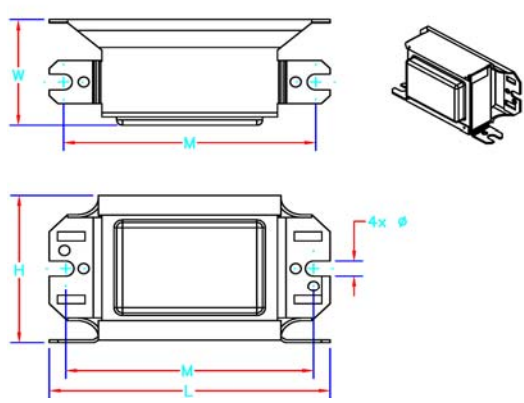
- Maximum case temperature: 194°F/90°C
- Maximum ambient temperature: 104°F/40°C
- Minimum starting temperature Linear: 50°F/10°C
- Remote mounting: 10ft.

SAFETY:

- Automatic reset thermal protector
- No PCB's

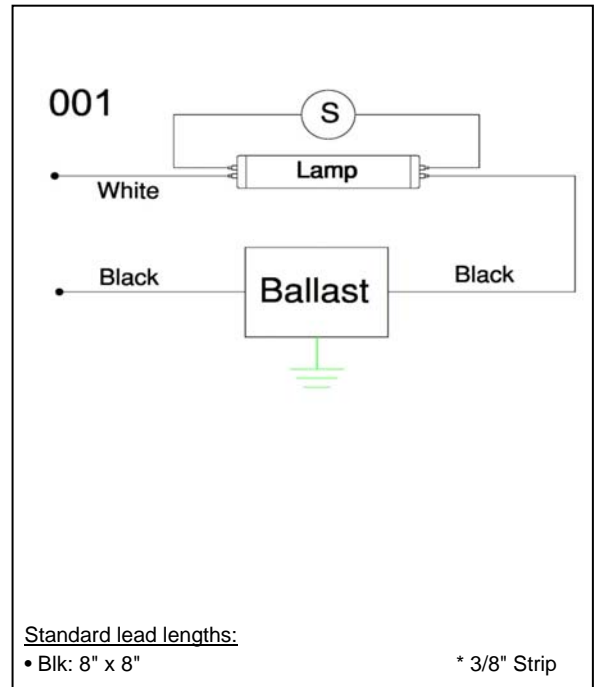
STYLE:

2X



H	W	L	M	Ø
1 23/32	1 3/8	3 1/16	2 3/4	3/16
1.72	1.38	3.06	2.75	0.19
4.34 cm	3.51 cm	7.77 cm	6.99 cm	0.47 cm

WIRING DIAGRAM:



WARRANTY:

Robertson Worldwide warrants to the purchaser that this ballast will be free from defects in material or workmanship for a period of 2 years from date of manufacture when properly installed and under normal conditions of use. For more information on Robertson Worldwide ballasts, call 1-800-323-5633 or visit www.robertsonww.com. Specifications subject to change without notice.

Revised 06/07/05