

SP1556

Ballast Type: Electromagnetic
 Input Voltage: 120VAC+5%,-10%
 Input Frequency: 50/60 Hz.

Starting Method: Preheat
 Lamp Connection: Series
 Unit Color: Raw

Unit Weight: 0.70 lb.
 Carton Quantity: 50
 Skid Quantity: 3000

ELECTRICAL SPECIFICATION:

Line Voltage (V)	Lamp Type	Lamp Watts	No. of Lamps	Line Current (A)	Input Power (W)	Power Factor	Max Current THD (%)	Current Crest Factor	Ballast Factor	Wiring Diagram	B.E.F.
Readings at 50 Hz											
120	F14T8	14	1	0.33	15	≥0.56	≤12	≤1.6	0.92	001	6.13
120	F15T8	15	1	0.26	18	≥0.59	≤16	≤1.6	0.88	001	4.89
120	F14T12	14	1	0.36	20	≥0.46	≤14	≤1.6	0.95	001	4.75
120	F15T12	15	1	0.32	20	≥0.51	≤12	≤1.6	0.97	001	4.85
120	F20T12	20	1	0.28	19	≥0.56	≤10	≤1.6	0.75	001	3.95
Readings at 60 Hz											
120	F14T8	14	1	0.29	19	≥0.54	≤15	≤1.6	0.80	001	4.21
120	F15T8	15	1	0.21	15	≥0.59	≤14	≤1.6	0.70	001	4.66
120	F14T12	14	1	0.26	15	≥0.48	≤5	≤1.6	0.70	001	4.66
120	F15T12	15	1	0.25	15	≥0.51	≤6	≤1.6	0.84	001	5.60
120	F20T12	20	1	0.23	16	≥0.56	≤7	≤1.6	0.60	001	3.75

PERFORMANCE:

- Electromagnetic reactor type ballast
- Preheat start
- Series operation
- Normal power factor
- Clamped core and coil
- Sound rated A
- Meets ANSI C82.1

APPLICATION:

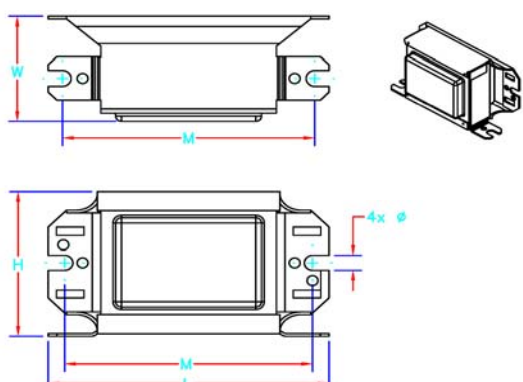
- Maximum case temperature: 194°F/90°C
- Maximum ambient temperature: 104°F/40°C
- Minimum starting temperature: 50°F/10°C
- Remote mounting: 10ft.

SAFETY:

- No PCB's

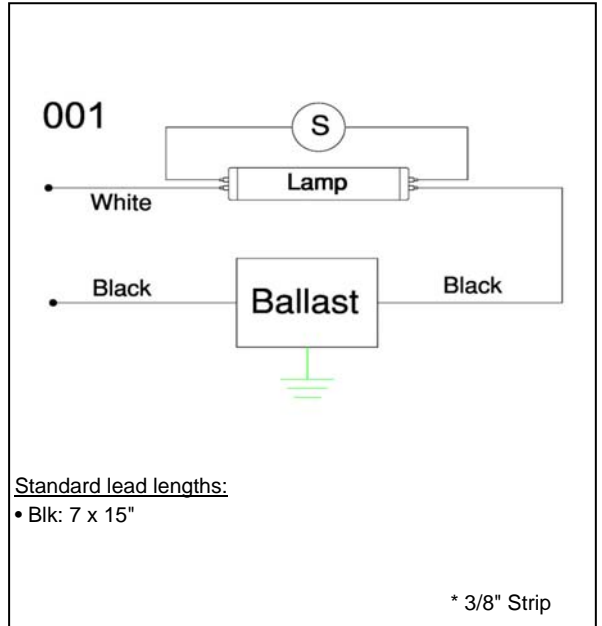
STYLE:

2X



H	W	L	M	Ø
1 23/32	1 3/8	3 1/16	2 3/4	3/16
1.72	1.38	3.06	2.75	0.19
4.34 cm	3.51 cm	7.77 cm	6.99 cm	0.47 cm

WIRING DIAGRAM:



WARRANTY

Robertson Worldwide warrants to the purchaser that this ballast will be free from defects in material or workmanship for a period of 2 years from date of manufacture when properly installed and under normal conditions of use. For more information on Robertson Worldwide's ballasts, call 1-800-323-5633 or visit www.robertsonww.com. For our energy star compliant ballasts, visit www.nema.org/lampballastmatrix/

Revised 3/28/06

ROBERTSON WORLDWIDE

13611 Thornton Rd, Blue Island, IL 60406, TEL: 1-800-323-5633, FAX: 1-877-388-2420, www.robertsonww.com