

SP1

Ballast Type: Electromagnetic
 Input Voltage: 120VAC+5%,-10%
 Input Frequency: 60 Hz.

Starting Method: Preheat
 Lamp Connection: Series
 Unit Color: Raw

Unit Weight: 0.60 lb.
 Carton Quantity: 50
 Skid Quantity: 3000

ELECTRICAL SPECIFICATION:

| Line Voltage (V) | Lamp Type | Lamp Watts | No. of Lamps | Line Current (A) | Input Power (W) | Power Factor | Max Current THD (%) | Current Crest Factor | Ballast Factor | Wiring Diagram | B.E.F. |
|------------------|-----------|------------|--------------|------------------|-----------------|--------------|---------------------|----------------------|----------------|----------------|--------|
| 120 | F15T8 | 15 | 1 | 0.30 | 19 | ≥0.52 | <15 | <1.7 | 1.00 | 001 | 5.26 |
| 120 | F15T12 | 15 | 1 | 0.30 | 19 | ≥0.52 | <15 | <1.7 | 1.00 | 001 | 5.26 |
| 120 | F20T12 | 20 | 1 | 0.25 | 20 | ≥0.66 | <15 | <1.7 | 0.70 | 001 | 3.50 |
| 120 | FC8T9 | 22 | 1 | 0.35 | 22 | ≥0.52 | <15 | <1.7 | 0.80 | 040 | 3.63 |
| | | | | | | | | | | | |
| | | | | | | | | | | | |
| | | | | | | | | | | | |
| | | | | | | | | | | | |
| | | | | | | | | | | | |
| | | | | | | | | | | | |
| | | | | | | | | | | | |
| | | | | | | | | | | | |
| | | | | | | | | | | | |
| | | | | | | | | | | | |
| | | | | | | | | | | | |
| | | | | | | | | | | | |
| | | | | | | | | | | | |
| | | | | | | | | | | | |
| | | | | | | | | | | | |
| | | | | | | | | | | | |
| | | | | | | | | | | | |
| | | | | | | | | | | | |

PERFORMANCE:

- Electromagnetic reactor type ballast
- Preheat start
- Series operation
- Normal power factor
- Clamped core and coil (no cap)
- Sound rated A
- Meets ANSI C82.1

APPLICATION:

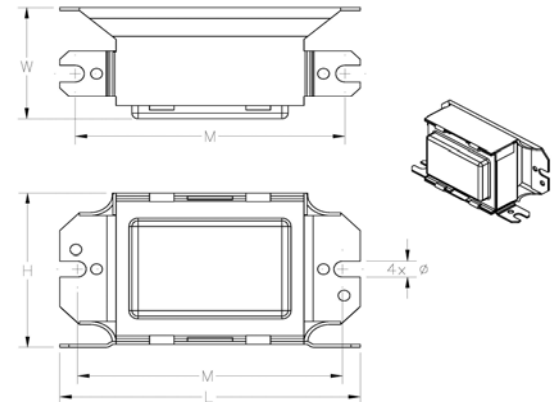
- Maximum case temperature: 194°F/90°C
- Maximum ambient temperature: 104°F/40°C
- Minimum starting temperature: 50°F/10°C
- Remote mounting: 10ft.

SAFETY:

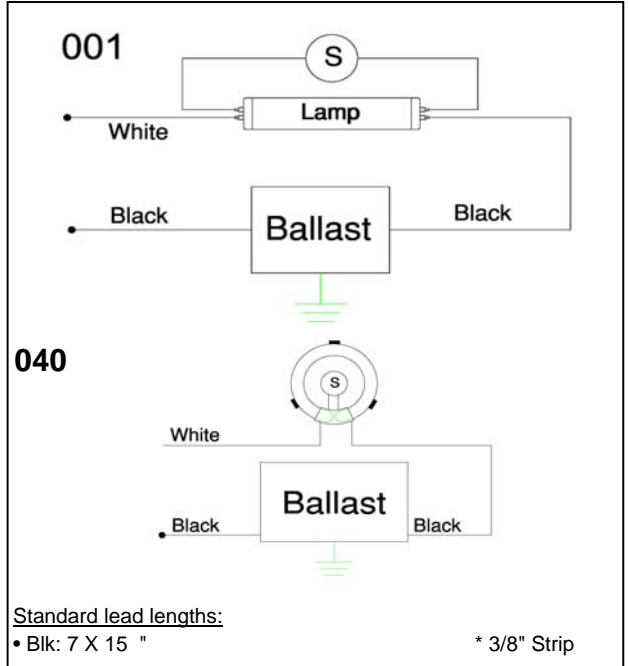
- UL/935 (Type 1 outdoor) listed
- CSA/C22.2 certified
- No PCB's

STYLE:

2A



| H | W | L | M | Ø |
|---------|---------|---------|---------|---------|
| 1 27/32 | 1 3/8 | 3 1/16 | 2 3/4 | 3/16 |
| 1.84 | 1.38 | 3.06 | 2.75 | 0.19 |
| 4.67 cm | 3.51 cm | 7.77 cm | 6.99 cm | 0.47 cm |

WIRING DIAGRAM:

WARRANTY

Robertson Worldwide warrants to the purchaser that this ballast will be free from defects in material or workmanship for a period of 3 years from date of manufacture when properly installed and under normal conditions of use. For more information on Robertson Worldwide's ballasts, call 1-800-323-5633 or visit www.robertsonww.com. Specifications subject to change without notice.

Revised 10/04/05

ROBERTSON WORLDWIDE

 13611 Thornton Rd, Blue Island, IL 60406, TEL: 1-800-323-5633, FAX: 1-877-388-2420, www.robertsonww.com