



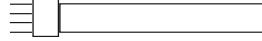
SPECIFICATION SHEET : SHS10-UNV-H

This Is An Original Product From Fulham Co., Inc

Description : Sun Horse electronic ballast developed for use with UV & tanning lamp applications

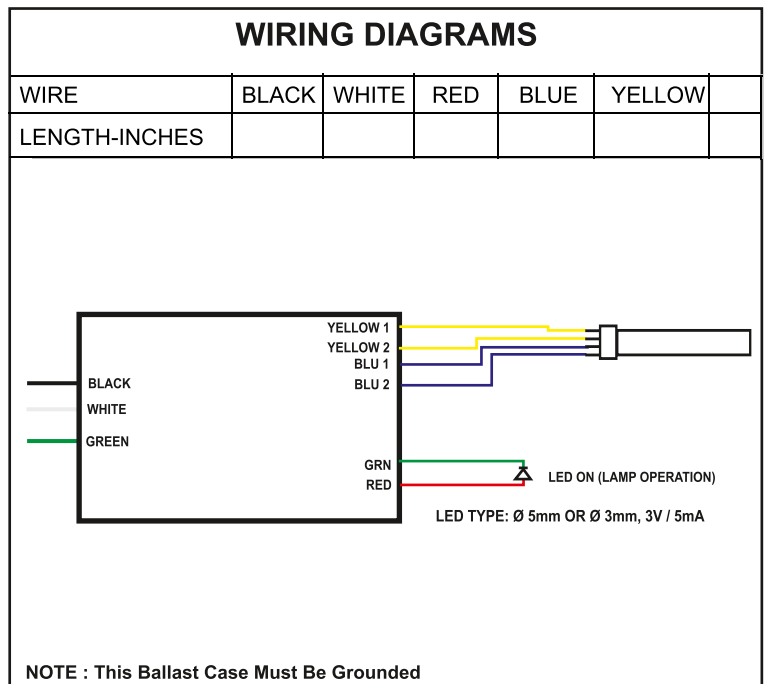
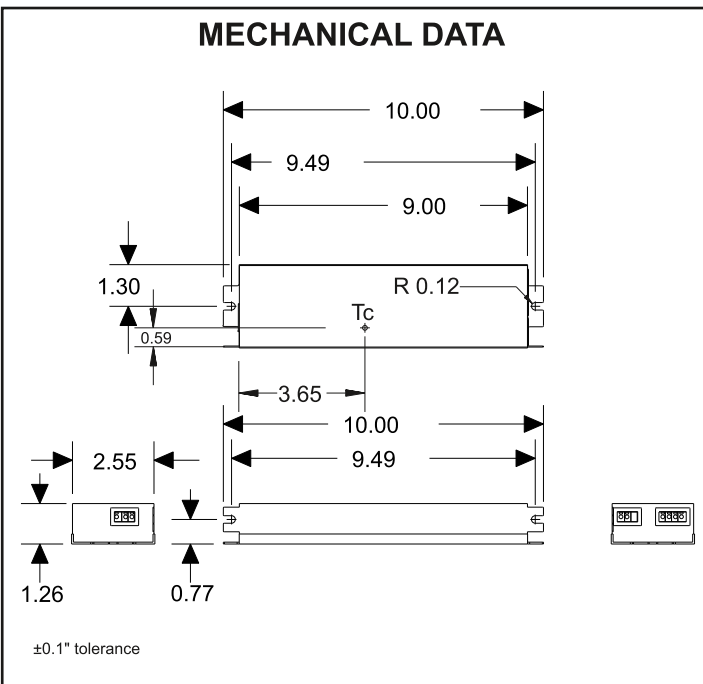
This Ballast Will Operate Following Lamps.

38-150W T6 1000mA UV lamps
 GPH1524T6L (150W), GPH1270T6L (120W),
 GPH1016T6L (90W), GPH762T6L (65W),
 GPH610T6L (55W), GPH457T6L (38W),



ELECTRICAL DATA (120V APPLICATION)

INPUT VOLT: 120V ± 10% , 50/60Hz						
LAMP WATTS/TYPE	GPH1524T6L	GPH1270T6L	GPH1016T6L	GPH762T6L	GPH610T6L	GPH457T6L
LAMPS OPERATED	1 x 1000mA T6 UV lamp 38W~150W					
INPUT WATTS	151	118	96	73	61	49
LINE CURRENT:	1.25	0.98	0.80	0.61	0.51	0.41
POWER FACTOR	0.999	0.999	0.998	0.997	0.996	0.994
BALLAST FACTOR	0.94	0.95	0.95	0.96	0.96	0.96
EFFICACY FACTOR	0.62	0.80	0.99	1.32	1.58	1.96
THD	5%	5%	5%	7%	8%	9%
CURRENT CREST FACTOR	<1.7					
EMI/RFI COMPLIANCE	FCC PART 18-B (Consumer)					
SOUND RATING	" A "					
BALLAST TYPE	PROGRAMMED PRE-HEAT START					
VOLTAGE TRANSIENTS	ANSI 62.41					
INPUT/PROTECTION	FUSE					
OUTPUT/PROTECTION	EOL					
MIN. OPERATING TEMP	0°C (32°F)					
MAX. CASE TEMP	70°C (158°F)					
TYPE "CC", TYPE "HL", RoHS	APPROVED					
APPROVALS/CLASS	UL /cUL LISTED, CLASS " P ", TYPE 1 OUTDOOR, CE					



Fulham extends a limited warranty only to the original purchaser or to the first user for a period of 5 years from the date of manufacture when properly installed and operated under normal conditions of use. For complete terms and conditions, please reference the Fulham product catalog (www.fulham.com)
Due to a program of continuous improvement, Fulham reserves the right to make modifications or variations in design or construction to the equipment described. © Fulham Company Limited, All Rights Reserved.



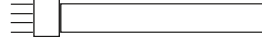
SPECIFICATION SHEET : SHS10-UNV-H

This Is An Original Product From Fulham Co., Inc

Description : Sun Horse electronic ballast developed for use with UV & tanning lamp applications

This Ballast Will Operate Following Lamps.

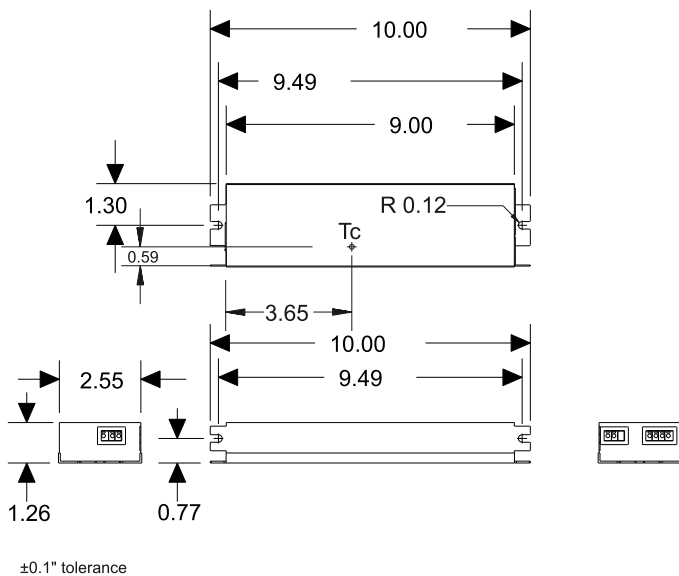
38-150W T6 1000mA UV lamps
 GPH1524T6L (150W), GPH1270T6L (120W),
 GPH1016T6L (90W), GPH762T6L (65W),
 GPH610T6L (55W), GPH457T6L (38W),



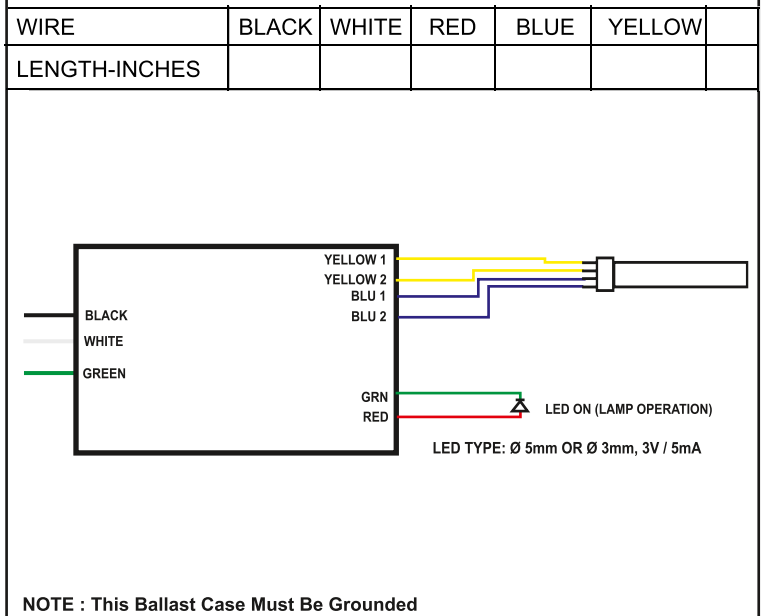
ELECTRICAL DATA (277V APPLICATION)

INPUT VOLT: 277V ± 10% , 50/60Hz						
LAMP WATTS/TYPE	GPH1524T6L	GPH1270T6L	GPH1016T6L	GPH762T6L	GPH610T6L	GPH457T6L
LAMPS OPERATED	1 x 1000mA T6 UV lamp 38W~150W					
INPUT WATTS	147	116	95	73	62	50
LINE CURRENT:	0.53	0.43	0.36	0.28	0.25	0.21
POWER FACTOR	0.981	0.968	0.953	0.922	0.898	0.864
BALLAST FACTOR	0.94	0.95	0.95	0.96	0.96	0.96
EFFICACY FACTOR	0.64	0.81	1.00	1.31	1.55	1.91
THD	11%	13%	16%	21%	25%	27%
CURRENT CREST FACTOR	<1.7					
EMI/RFI COMPLIANCE	FCC PART 18-B (Consumer)					
SOUND RATING	" A "					
BALLAST TYPE	PROGRAMMED PRE-HEAT START					
VOLTAGE TRANSIENTS	ANSI 62.41					
INPUT/PROTECTION	FUSE					
OUTPUT/PROTECTION	EOL					
MIN. OPERATING TEMP	0°C (32°F)					
MAX. CASE TEMP	70°C (158°F)					
TYPE "CC", TYPE "HL", RoHS	APPROVED					
APPROVALS/CLASS	UL /cUL LISTED , CLASS " P ", TYPE 1 OUTDOOR, CE					

MECHANICAL DATA



WIRING DIAGRAMS



Fulham extends a limited warranty only to the original purchaser or to the first user for a period of 5 years from the date of manufacture when properly installed and operated under normal conditions of use. For complete terms and conditions, please reference the Fulham product catalog (www.fulham.com)
 Due to a program of continuous improvement, Fulham reserves the right to make modifications or variations in design or construction to the equipment described. © Fulham Company Limited, All Rights Reserved.