

SEN213PSC

 Ballast Type: Electromagnetic
 Input Voltage: 120VAC+5%,-10%
 Input Frequency: 60 Hz.

 Starting Method: Electronic start
 Lamp Connection: Parallel
 Unit Color: Black

 Unit Weight: 1.1 lb.
 Carton Quantity: 30
 Skid Quantity: 1800
ELECTRICAL SPECIFICATION:

Line Voltage (V)	Lamp Type	Lamp Watts	No. of Lamps	Line Current (A)	Input Power (W)	Power Factor	Max Current THD (%)	Current Crest Factor	Ballast Factor	Wiring Diagram	B.E.F.
120	F13T5	13	2	0.30	27	≥0.75	<30	≤1.7	0.80	28	2.96
120	F8T5	8	2	0.31	19	≥0.55	<20	≤1.7	0.97	28	5.11
120	F13T5 & F8T5	13 & 8	2	0.28	22	≥0.60	≤20	≤1.7	0.88	28	4.00

PERFORMANCE:

- Electromagnetic lead type ballast
- Electronic start
- Parallel operation
- Normal power factor
- Encased & potted
- Sound rated A
- Meets ANSI C82.1

APPLICATION:

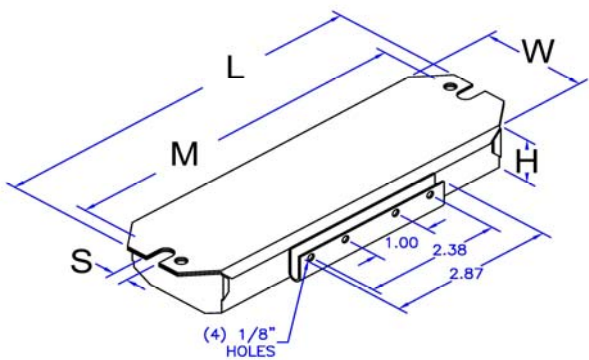
- Maximum case temperature: 194°F/90°C
- Maximum ambient temperature: 104°F/40°C
- Minimum starting temperature: 50°F/10°C
- Remote mounting: 10ft.

SAFETY:

- UL/935 (Class P, Type HL, Type 1 outdoor) listed
- CSA certified (cUL)
- Automatic reset thermal protector
- No PCB's

STYLE:

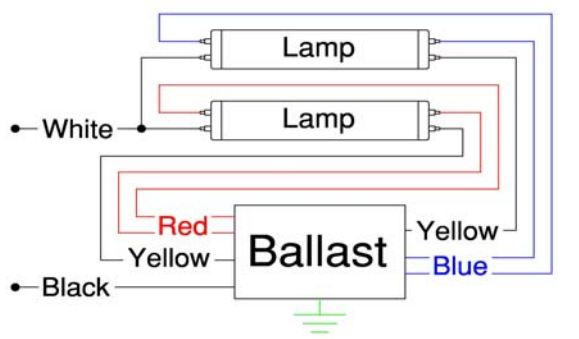
9AWC



H	W	L	M	S
31/32	1 29/32	6 7/16	6	1/4
0.97	1.91	6.44	6.00	0.25
2.46 cm	4.85 cm	16.36 cm	15.24 cm	0.64 cm

WIRING DIAGRAM:

028



Standard lead lengths:

- Blk: 15"
- Red: (2) 15"
- Blu: (2) 15"
- Yel: (2) 15"

* 3/8" Strip

WARRANTY

Robertson Worldwide warrants to the purchaser that this ballast will be free from defects in material or workmanship for a period of 2 years from date of manufacture when properly installed and under normal conditions of use. For more information on Robertson Worldwide's ballasts, call 1-800-323-5633 or visit www.robertsonww.com. Specifications subject to change without notice.

Revised 12/27/06

ROBERTSON WORLDWIDE

 13611 Thornton Rd, Blue Island, IL 60406, TEL: 1-800-323-5633, FAX: 1-877-388-2420, www.robertsonww.com