

RSZ114T5120WT

Ballast Type: Electronic
 Input Voltage: 120VAC ±10%
 Input Frequency: 50-60Hz

Starting Method: Preheat Rapid Start
 Lamp Connection: Series

Unit Color: Galvanneal
 Unit Weight: 0.35 lbs.

ELECTRICAL SPECIFICATIONS:

Line Voltage (V)	Lamp Type	Lamp Watts	No. of Lamps	Line Current (A)	Input Power (W)	Power Factor	Max Current THD (%)	Current Crest Factor	Ballast Factor	B.E.F.	Wiring Diagram
120	F21T5	21	1	0.30	20	≥ 0.50	≤ 140	≤ 1.4	0.74	3.70	003
120	F14T5*	14	1	0.24	15	≥ 0.50	≤ 141	≤ 1.5	1.00	6.67	003
120	CFQ13W/G24q CFTR13W/GX24q	13	1	0.22	14	≥ 0.53	≤ 143	≤ 1.5	1.03	7.36	103

* Primary Lamp Type.

PERFORMANCE:

- Electronic Ballast
- Preheat Rapid Start
- Series Operation
- Normal Power Factor
- Normal Ballast Factor
- Encased & Potted
- Sound Rated A
- Internal Surge Protection
- End-of-Lamp Life Protection
- Meets FCC Part 18 (Class B) EMI and RFI consumer limits
- Meets ANSI Standard C62.41 for Transient Protection
- Meets ANSI Standard C82.11 for Ballast Requirements

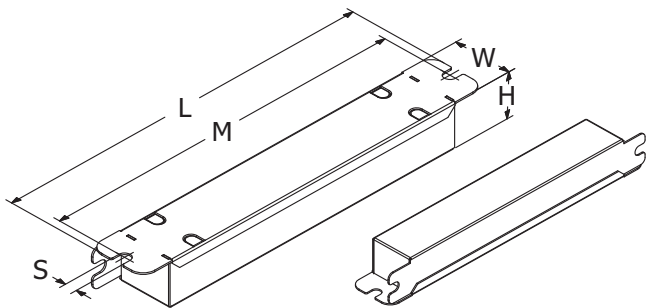
APPLICATION:

- Maximum Case Temperature: 167°F/75°C
- Maximum Ambient Temperature: 104°F/40°C
- Minimum Starting Temperature: -4°F/-20°C
- Lamp Starts: > 15,000 Starts
- Remote Mounting: 18 ft. Max. Lead Length, 18AWG

SAFETY/STANDARDS:

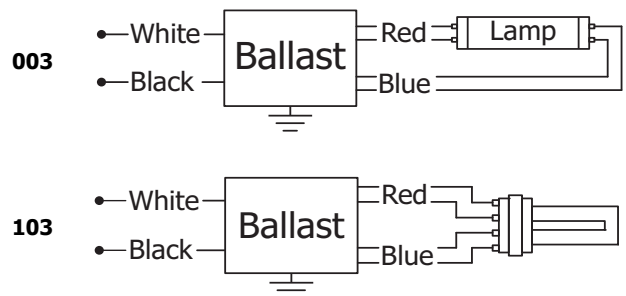
- UL/935 Listed (Class P, Type HL, TypeCC, Type 1 Outdoor)
- CSA/C22.2 Certified
- Inherent Thermal Protection
- No PCB's
- RoHS Compliant

CASE STYLE: 3C



L	W	H	M	S
5 29/32	7/8	3/4	5 5/8	3/16
5.91	0.91	0.75	5.63	0.18
15.00 cm	2.30 cm	1.91 cm	14.29 cm	0.46 cm

WIRING DIAGRAM:



- Black(strd): 18" w/Insulated 0.187" Right Angle Flag Terminal
- White: 18"
 - Red: (2) 34"
- Tolerance: +2.00, -1.00"
 - Blue: (2) 7" +1.00, -0.50"
- Strip: 0.375" ± 0.060

WARRANTY:

Robertson Worldwide warrants to the purchaser that this ballast will be free from defects in material or workmanship for a period of 2 years from date of manufacture when properly installed and under normal condition of use. For more information on Robertson Worldwide ballasts, visit www.robertsonlighting.com. Specifications subject to change without notice.