

## RSW234T12120

Ballast Type: Electronic  
 Input Voltage: 120Vac ±10%  
 Input Frequency: 50/60Hz

Starting Method: Preheat Rapid Start  
 Lamp Connection: Parallel

Unit Color: White  
 Unit Weight: 0.90 lbs.

### ELECTRICAL SPECIFICATIONS:

Line Voltage (V)	Lamp Type	Lamp Wattage (W)	No. of Lamps	Line Current (A)	Input Power (W)	Power Factor	Max Current THD (%)	Current Crest Factor	Ballast Factor	B.E.F.	Wiring Diagram
120	F40T12	40	2	0.80	55	≥0.55	≤140	≤1.6	0.65	1.18	O22A
			1	0.47	29		≤170			2.24	O22A1
120	F34T12	34	2	0.70	47	≥0.55	≤140	≤1.6	0.75	1.59	O22A
			1	0.40	24		≤170			3.12	O22A1
120	F25T12	25	2	0.78	54	≥0.55	≤140	≤1.6	1.05	1.94	O22A
			1	0.45	28		≤170			3.75	O22A1
120	F32T8	32	2	0.90	64	≥0.55	≤140	≤1.6	1.00	1.56	O22A
			1	0.52	33		≤170			3.03	O22A1
120	F30T8	30	2	0.74	51	≥0.55	≤140	≤1.6	0.85	1.67	O22A
			1	0.44	26		≤140			3.27	O22A1
120	F25T8	25	2	0.74	51	≥0.55	≤140	≤1.6	1.10	2.16	O22A
			1	0.41	26		≤140			4.23	O22A1

### PERFORMANCE:

- Encased & Potted
- Sound Rated A
- Internal Surge Protection
- Meets FCC Part 18 (Class B) for EMI and RFI Consumer Limits
- Meets ANSI Standard C62.41 for Transient Protection
- Meets ANSI Standard C82.11 for Ballast Requirements

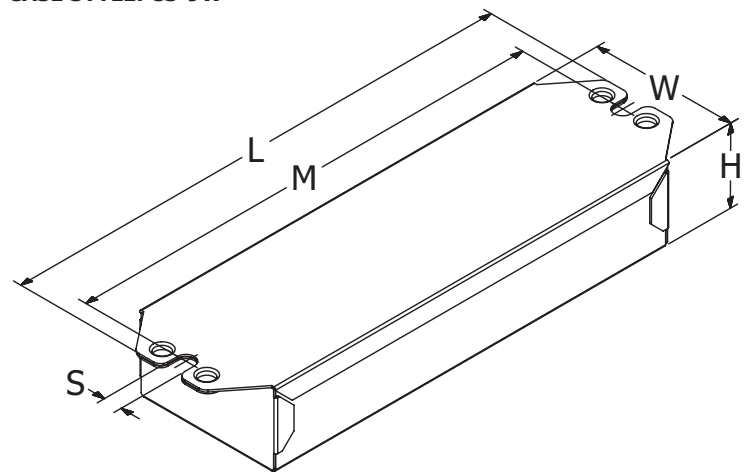
### APPLICATION:

- Maximum Case Temperature 167°F/75°C
- Maximum Ambient Temperature 104°F/50°C
- Minimum Starting Temperature 0°F/-18°C
- Lamp Starts >10,000 Starts
- Remote Mounting 18 ft. Max. Lead Length, 18AWG

### SAFETY/STANDARDS:

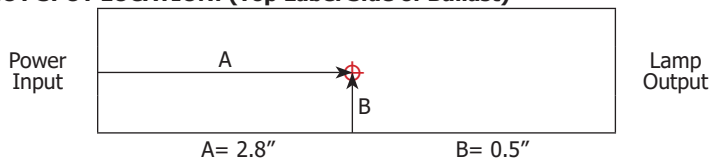
- UL/935 Listed (Class P, Type 1 Outdoor)
- cUL (CSA/C22.2 Certified)
- No PCB's, Type HL, Type CC
- Inherent Thermal Protection
- RoHS Compliant

### CASE STYLE: CS-9W

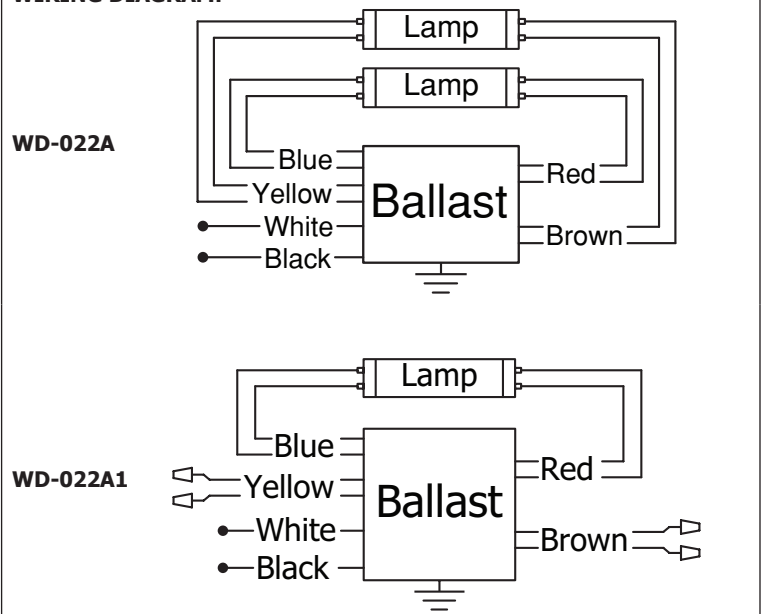


L	W	H	M	S
6-15/32	1-7/8	1-1/32	6	9/32
6.47	1.88	1.03	6.00	0.28
16.43cm	4.78cm	2.62cm	15.24cm	0.71cm

### HOT SPOT LOCATION: (Top Label Side of Ballast)



### WIRING DIAGRAM:



For 1 Lamp Application Cap Yellow and Brown Leads, Insulate to 600 Volts

- Black: 20"
- White: 20"
- Blue: (2) 37"
- Yellow: (2) 37"
- Tolerance: +1.00, -0.50"
- Strip: 0.375" ± 0.060"
- Red: (2) 26"
- Brown: (2) 26"
- Tolerance: +1.00, -0.50"
- Strip: 0.375" ± 0.060"

### WARRANTY:

Robertson Worldwide warrants to the purchaser that this product will be free from defects in material or workmanship for a period of 2 years from date of manufacture when properly installed and under normal condition of use. Specifications subject to change without notice.

For more information on Robertson Worldwide products, visit [www.RobertsonLighting.com](http://www.RobertsonLighting.com)