

RSS240T12MVIP

Ballast Type: Electronic
 Input Voltage: 120-277VAC ±10%
 Input Frequency: 50/60 Hz.

Starting Method: Rapid
 Lamp Connection: Parallel
 Unit Color: Black

Unit Weight: 1.3 lb.
 Individual Packed / 10 Master Carton
 Skid Quantity: 900

ELECTRICAL SPECIFICATION:

Line Voltage (V)	Lamp Type	Lamp Watts	No. of Lamps	Line Current (A)	Input Power (W)	Power Factor	Max Current THD (%)	Current Crest Factor	Ballast Factor	Wiring Diagram	B.E.F.
120	F40T12	40	2	0.62	74	≥0.99	≤10	≤1.7	0.88	015A	1.19
277				0.27		≥0.98					
120	F40T12/ES	34	2	0.53	63	≥0.99	≤10	≤1.7	0.85	015A	1.35
277				0.23		≥0.97					
120	F30T12	30	2	0.49	58	≥0.99	≤10	≤1.7	0.88	015A	1.52
277				0.22		≥0.97					

PERFORMANCE:

- Electronic ballast
- Rapid start
- Parallel operation
- High power factor
- Encased & potted
- Sound rated A
- Internal surge protection
- Meets FCC Part 18 (Class B) for EMI and RFI consumer limits
- Meets ANSI standard C82.11
- Meets ANSI standard C62.41

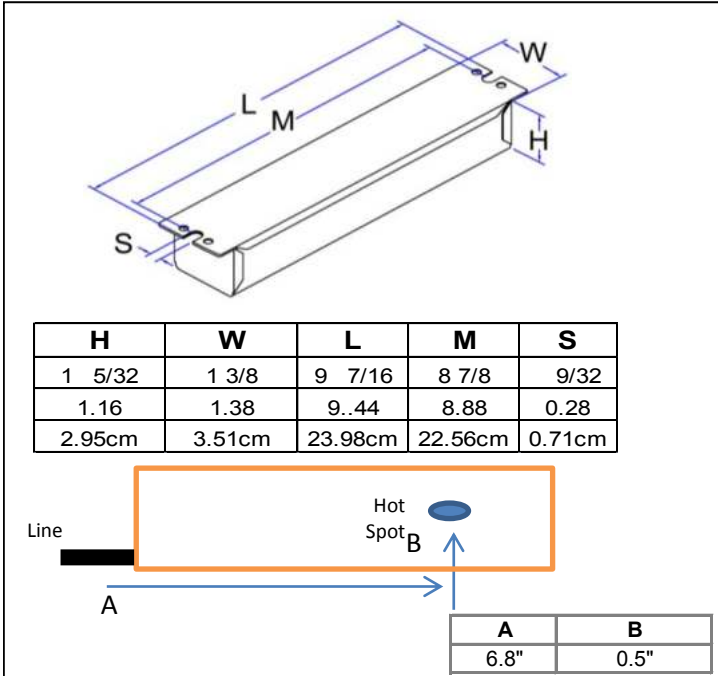
APPLICATION:

- Maximum case temperature: 167°F/75°C
- Maximum ambient temperature: 104°F/40°C
- Minimum starting temperature Std. lamps: 0°F/-18°C
- Minimum starting temperature ES lamps: 60°F/16°C
- Lamp starts: >15,000 starts
- Remote mounting: 18 ft.

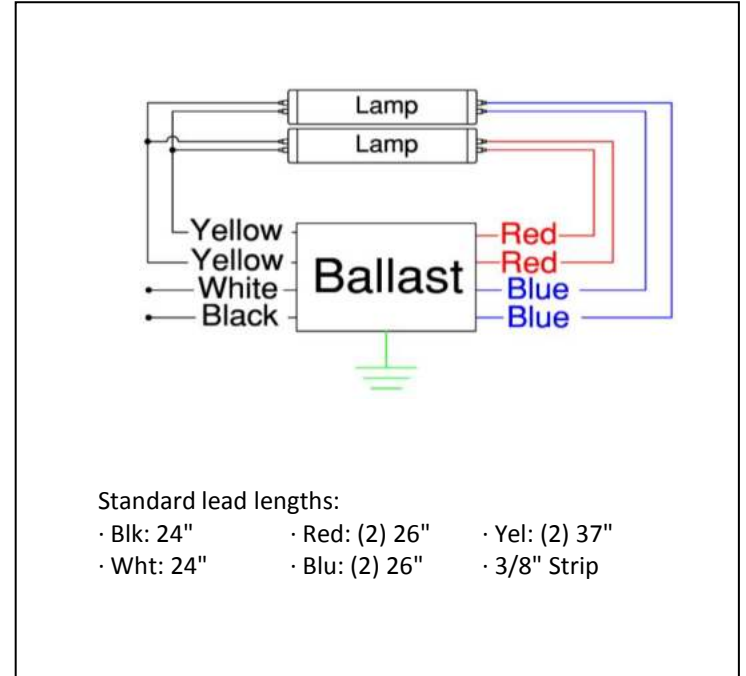
SAFETY:

- UL/935 (Class P, Type HL, Type 1 outdoor) listed
- CSA (cUL) certified
- Inherent Thermal Protection
- RoHS Compliant
- No PCB's

CASE STYLE: 12B



WIRING DIAGRAM: 015A



WARRANTY:

Robertson Worldwide warrants to the purchaser that this ballast will be free from defects in material or workmanship for a period of 3 years from date of manufacture when properly installed and under normal conditions of use. For more information on Robertson Worldwide's ballasts, call 1-800-323-5633 or visit www.robertsonww.com. For our energy star compliant ballasts, visit www.nema.org/lampballastmatrix/. Specifications subject to change without notice.

Revised 4/28/2011