

**RSO1GPH20DV**

Ballast Type: Electronic  
 Input Voltage: 120/230 VAC ± 10%  
 Input Frequency: 50/60 Hz.

Starting Method: Preheat Rapid  
 Lamp Connection: Series  
 Unit Color: White

Unit Weight: .60 lbs  
 Carton Quantity: 48  
 Skid Quantity: 1536

**ELECTRICAL SPECIFICATION:**

Line Voltage (V)	Lamp Type	Lamp Watts (W)	Approx. Lamp Length	No. of Lamps	Line Current (A)	Input Power (W)	Power Factor	Max Current THD (%)	Current Crest Factor	Wiring Diagram
120/230	GPH178T5	9	7"	1	0.19/0.08	10	≥0.50	≤150	≤1.7	077
120/230	GPH212T5	10	8"	1	0.21/0.09	12	≥0.50	≤150	≤1.7	077
120/230	GPH229T5	11	9"	1	0.22/0.11	13	≥0.50	≤150	≤1.7	077
120/230	GPH254T5	12	10"	1	0.22/0.11	13	≥0.50	≤150	≤1.7	077
120/230	GPH262T5	13	10"	1	0.23/0.12	13	≥0.50	≤150	≤1.7	077
120/230	GPH287T5	14	11"	1	0.24/0.13	15	≥0.51	≤150	≤1.7	077
120/230	GPH305T5	15	12"	1	0.25/0.14	16	≥0.51	≤150	≤1.7	077
120/230	GPH330T5	16	13"	1	0.26/0.15	17	≥0.51	≤150	≤1.7	077
120/230	GPH356T5	17	14"	1	0.29/0.16	18	≥0.53	≤150	≤1.7	077
120/230	GPH357T5	17	14"	1	0.29/0.16	18	≥0.53	≤150	≤1.7	077
120/230	GPH383T5	18	15"	1	0.29/0.16	19	≥0.53	≤150	≤1.7	077
120/230	GPH406T5	19	16"	1	0.31/0.17	21	≥0.54	≤150	≤1.7	077
120/230	GPH436T5	21	17"	1	0.32/0.17	22	≥0.54	≤150	≤1.7	077
120/230	GU7610T5	16	7" U	1	0.27/0.15	17	≥0.52	≤150	≤1.7	077
120/230	GU2210T5	16	7" U	1	0.27/0.15	17	≥0.52	≤150	≤1.7	077
120/230	TUV16W	16	11"	1	0.24/0.13	15	≥0.51	≤150	≤1.7	077
120/230	TUV16W4P-SE	16	12"	1	0.25/0.14	16	≥0.51	≤150	≤1.7	077
120/230	G16T5	16	11"	1	0.24/0.13	15	≥0.51	≤150	≤1.7	077
120/230	G20T5	20	16"	1	0.30/0.17	20	≥0.53	≤150	≤1.7	077
120/230	G15T8	15	17"	1	0.30/0.15	16	≥0.51	≤150	≤1.7	077
120/230	G20T10	19	23"	1	0.37/0.19	21	≥0.50	≤150	≤1.7	077

**PERFORMANCE:**

- Electronic ballast
- Preheat rapid start ballast
- Series operation
- Normal power factor
- Encased & potted
- Sound Rated A
- Internal surge protection
- Meets ANSI standard C62.41

**APPLICATION:**

- Maximum case temperature: 167°F/75°C
- Maximum ambient temperature: 104°F/40°C
- Minimum starting temperature: 0°F/-18°C
- Lamp starts: >15,000 starts
- Remote mounting: 18 ft.

**SAFETY:**

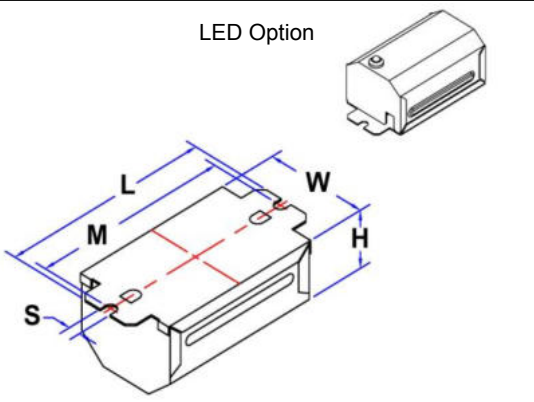
- UL/935 (Class P, Type HL, Type 1 outdoor) listed
- CSA certified (cUL)
- Inherent Thermal Protection
- RoHS Compliant
- No PCB's

**FEATURES:**

- LED Lamp on indicator
- Automatic reset thermal protector

**STYLE:**

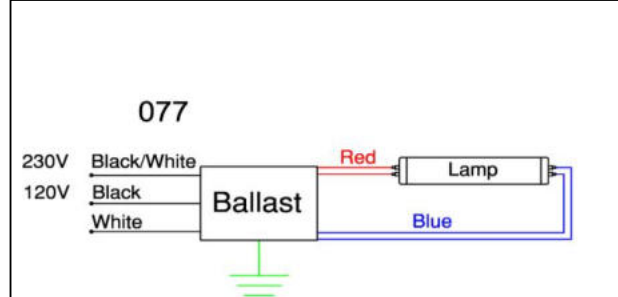
**7B** LED Option



H	W	L	M	S
1 7/16	1 15/16	4	3 3/4	7/32
1.44	1.94	4.00	3.75	0.22
3.66 cm	4.93 cm	10.16 cm	9.53 cm	0.56 cm

**WIRING DIAGRAM:**

**077**



**Standard lead lengths:**

- Blk: 6"
- Wht: 6"
- Blk/Wht: 6"
- Red: 15"
- Blu: 15"

\* 3/8" Strip

**WARRANTY**

Robertson Worldwide warrants to the purchaser that this ballast will be free from defects in material or workmanship for a period of 2 years from date of manufacture when properly installed and under normal conditions of use. For more information on Robertson Worldwide's ballasts, call 1-800-323-5633 or visit www.robertsonww.com. Specifications subject to change without notice.

Revised 12/20/10

**ROBERTSON WORLDWIDE**

13611 Thornton Rd, Blue Island, IL 60406, TEL: 1-800-323-5633, FAX: 1-877-388-2420, www.robertsonww.com