

RS140P2WS

Ballast Type:	Electromagnetic
Input Voltage:	120VAC+5%,-10%
Input Frequency:	60 Hz.

Starting Method:	Rapid Start
Lamp Connection:	Series
Unit Color:	White

Unit Weight:	2.6 lb.
Carton Quantity:	8/10
Unit Weight:	640/500

ELECTRICAL SPECIFICATION:

Line Voltage (V)	Lamp Type	Lamp Watts	No. of Lamps	Line Current (A)	Input Power (W)	Power Factor	Max Current THD (%)	Current Crest Factor	Ballast Factor	Wiring Diagram	B.E.F.
120	FC12T9	32	1	0.34	38	≥0.95	≤15	≤1.7	0.90	036	2.37
	FC16T9	40		0.42	47			≤1.7	0.85		1.81

PERFORMANCE:

- Electromagnetic lead type ballast
- Rapid start
- Series operation
- High power factor
- Encased & potted
- Sound rated A
- Meets ANSI C82.1

APPLICATION:

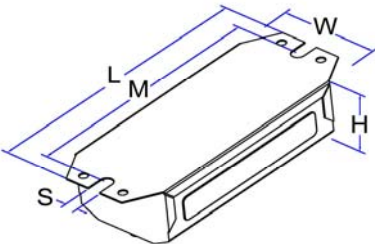
- Maximum case temperature: 194°F/90°C
- Maximum ambient temperature: 104°F/40°C
- Minimum starting temperature: 50°F/10°C
- Remote mounting: 10ft.

SAFETY:

- UL listed (Class P, Type HL, Type 1 outdoor)
- CSA/C22.2 Certified
- Automatic reset thermal protector
- No PCB's

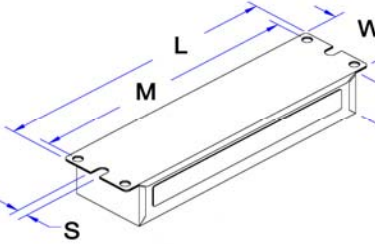
STYLE:

10



H	W	L	M	S
1 11/16	2 3/8	6 9/16	6	5/16
1.69	2.38	6.56	6.00	0.31
2.71 cm	6.03 cm	16.66 cm	15.24 cm	0.79 cm

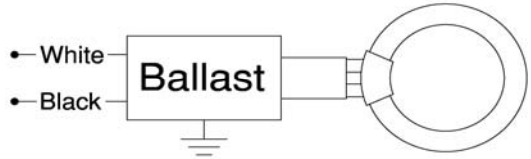
11A



H	W	L	M	S
1 1/2	2 3/8	9 7/16	8 7/8	5/16
1.50	2.38	9.44	8.88	0.31
3.81 cm	6.03 cm	23.98 cm	22.56 cm	0.79 cm

WIRING DIAGRAM:

036



Standard lead lengths:

- Blk: 11"
- Socket assembly: 8"
- Wht: 11"

* 3/8" Strip

WARRANTY

Robertson Worldwide warrants to the purchaser that this ballast will be free from defects in material or workmanship for a period of 2 years from date of manufacture when properly installed and under normal conditions of use. For more information on Robertson Worldwide's ballasts, call 1-800-323-5633 or visit www.robertsonww.com. Specifications subject to change without notice.

Revised 12/8/05

ROBERTSON WORLDWIDE

 13611 Thornton Rd, Blue Island, IL 60406, TEL: 1-800-323-5633, FAX: 1-877-388-2420, www.robertsonww.com