

RS025P

Ballast Type:	Electromagnetic
Input Voltage:	120VAC+5%,-10%
Input Frequency:	60 Hz.

Starting Method:	Rapid Start
Lamp Connection:	Series
Unit Color:	Black

Unit Weight:	2.1 lb.
Carton Quantity:	12
Skid Quantity:	720

ELECTRICAL SPECIFICATION:

Line Voltage (V)	Lamp Type	Lamp Watts	No. of Lamps	Line Current (A)	Input Power (W)	Power Factor	Max Current THD (%)	Current Crest Factor	Ballast Factor	Wiring Diagram	B.E.F.
120	F17T8 F17T8U	17	1	0.25	25	≥0.90	≤35	≤1.7	1.16	005	4.64
120	F25T8 F25T8U	25	1	0.27	30	≥0.90	≤32	≤1.7	0.90	005	3.33
120	FT18W/2G11/RS	18	1	0.25	24	≥0.90	≤20	≤1.7	0.90	114	3.75

PERFORMANCE:

- Electromagnetic lead type ballast
- Rapid start
- Series operation
- High power factor
- Encased & potted
- Sound rated A
- Meets ANSI C82.1

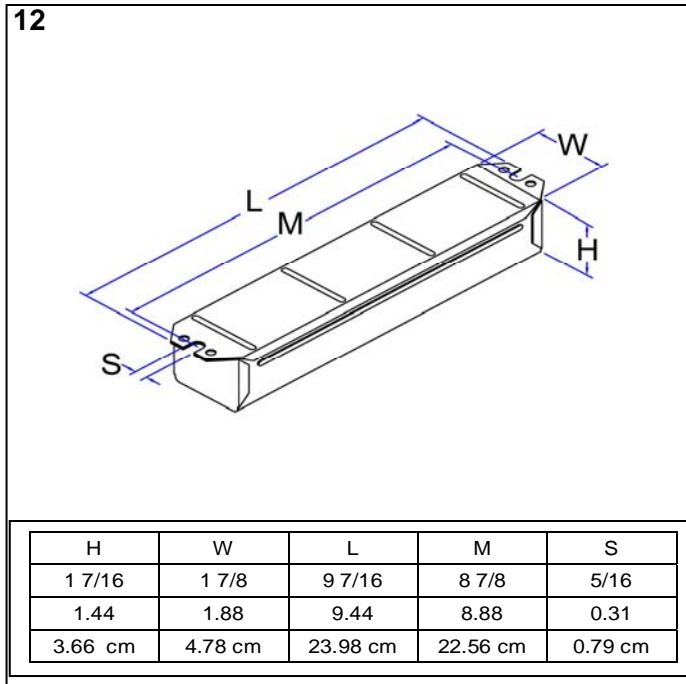
APPLICATION:

- Maximum case temperature: 194°F/90°C
- Maximum ambient temperature: 104°F/40°C
- Minimum starting temperature: 50°F/10°C
- Remote mounting: 10ft.

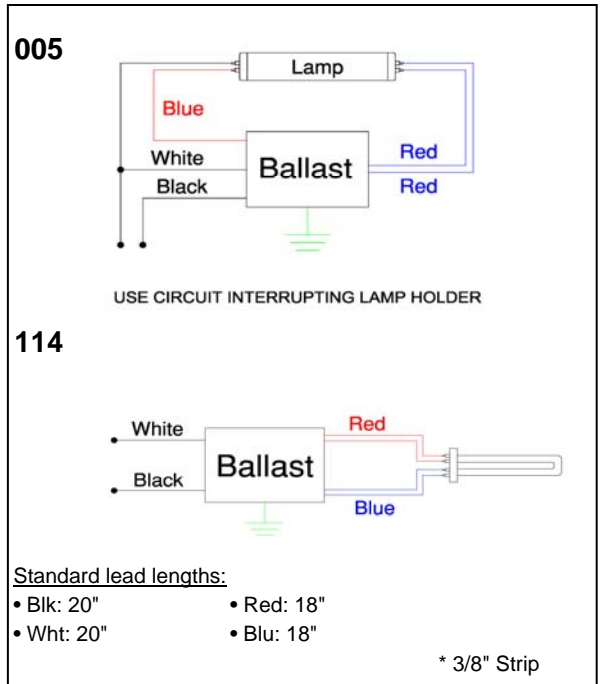
SAFETY:

- UL listed (Class P, Type HL, Type 1 outdoor)
- CSA/C22.2 certified
- Automatic reset thermal protector
- No PCB's

STYLE:



WIRING DIAGRAM:



WARRANTY

Robertson Worldwide warrants to the purchaser that this ballast will be free from defects in material or workmanship for a period of 2 years from date of manufacture when properly installed and under normal conditions of use. For more information on Robertson Worldwide's ballasts, call 1-800-323-5633 or visit www.robertsonww.com. Specifications subject to change without notice.

Revised 10-24-06

ROBERTSON WORLDWIDE

13611 Thornton Rd, Blue Island, IL 60406, TEL: 1-800-323-5633, FAX: 1-877-388-2420, www.robertsonww.com