

## RPZ123V230

Ballast Type:	Electronic
Input Voltage:	230Vac ±10%
Input Frequency:	47-63Hz

Starting Method:	Preheat Rapid Start
Lamp Connection:	Series

Unit Color:	Galvanneal
Unit Weight:	0.33 lbs.

### ELECTRICAL SPECIFICATIONS:

Line Voltage (V)	No. of Lamps	Lamp Type	Typical Lamp Watts (W)	Lamp Voltage (V)	Lamp Current (mA)	Input Current (A)	Input Power (W)	Input Current THD (%)	Lamp Current Crest Factor	Electrical Efficiency
207	1	PLL18W/TUV	18	56	303	0.18	19.4	132	1.61	0.86
230				53	356	0.19	22.1	136	1.61	0.84
253				52	397	0.19	24.6	140	1.60	0.83
207	1	TUV 18W	18	56	303	0.18	19.4	132	1.61	0.86
230				53	356	0.19	22.1	136	1.61	0.84
253				52	397	0.19	24.6	140	1.60	0.83
207	1	TUV 25W - 4P SE	23	85	0.24	0.20	23.3	122	1.59	0.88
230				80	0.30	0.21	26.9	126	1.59	0.88
253				75	0.35	0.22	30.2	130	1.58	0.86

### PERFORMANCE:

- Power Factor = >0.50
- Encased & Potted
- Sound Rated A
- Internal Surge Protection
- Meets FCC Part 18 (Class B) for EMI and RFI Consumer Limits
- Meets ANSI Standard C62.41 for Transient Protection
- Meets ANSI Standard C82.11 for Ballast Requirements

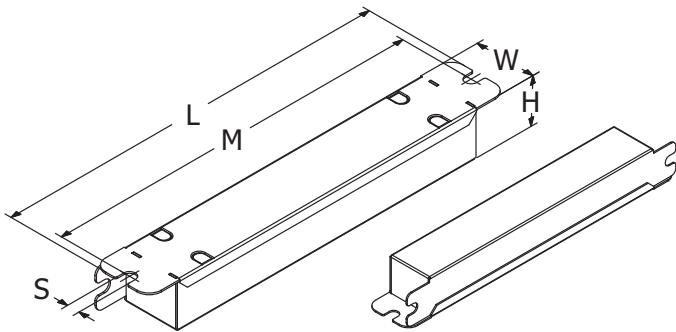
### APPLICATION:

- Maximum Case Temperature: 167°F/75°C
- Maximum Ambient Temperature: 122°F/50°C
- Minimum Starting Temperature: 23°F/-5°C
- Remote Mounting: 18 ft. Max. Lead Length, 18AWG

### SAFETY/STANDARDS:

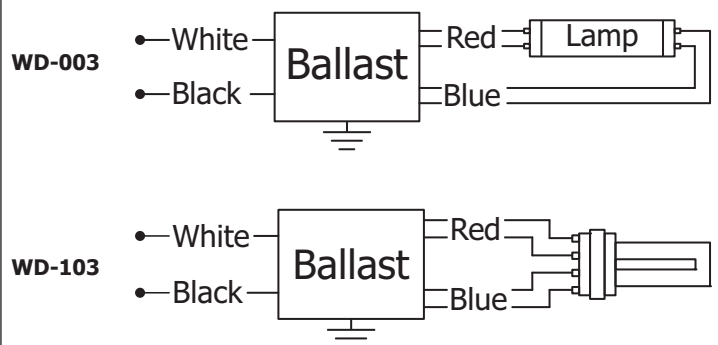
- UL/935 Listed (Class P, Type 1 Outdoor)
- cUL (CSA/C22.2 Certified)
- No PCBs, Type HL, Type CC
- Inherent Thermal Protection
- RoHS Compliant

### CASE STYLE: CS-3C



L	W	H	M	S
5-29/32	7/8	3/4	5-5/8	3/16
5.91	0.91	0.75	5.63	0.19
15.00 cm	2.30 cm	1.91 cm	14.29 cm	0.48 cm

### WIRING DIAGRAM:



- Black: 12"
- White: 12"
- Tolerance: +1.00, -0.50"
- Strip: 0.375" ± 0.060"
- Red: (2) 12"
- Blue: (2) 12"
- Tolerance: +1.00, -0.50"
- Strip: 0.375" ± 0.060"

### WARRANTY:

Robertson Worldwide warrants to the purchaser that this product will be free from defects in material or workmanship for a period of 2 years from date of manufacture when properly installed and under normal condition of use. Specifications subject to change without notice.

For more information on Robertson Worldwide products, visit [www.RobertsonLighting.com](http://www.RobertsonLighting.com)