

RPZ117V120

Ballast Type: Electronic
 Input Voltage: 120Vac ±10%
 Input Frequency: 47-63Hz

Starting Method: Preheat Rapid Start
 Lamp Connection: Series

Unit Color: Galvanneal
 Unit Weight: 0.33 lbs.

ELECTRICAL SPECIFICATIONS:

| Line Voltage (V) | No. of Lamps | Lamp Type | Typical Lamp Watts (W) | Lamp Voltage (V) | Lamp Current (mA) | Input Current (A) | Input Power (W) | Input Current THD (%) | Lamp Current Crest Factor | Electrical Efficiency |
|------------------|--------------|-------------------------------------|------------------------|------------------|-------------------|-------------------|-----------------|-----------------------|---------------------------|-----------------------|
| 108 | 1 | TUV PL-S 13W/2P | 13 | 47 | 222 | 0.20 | 11.7 | 142 | 1.57 | 0.90 |
| 120 | | | | 43 | 299 | 0.22 | 14.4 | 143 | 1.66 | 0.89 |
| 132 | | | | 40 | 373 | 0.24 | 17.1 | 144 | 1.62 | 0.88 |
| 108 | 1 | HNS S 13 W GX23 (GCF13DS/G23/SE/OF) | 13 | 47 | 222 | 0.20 | 11.7 | 142 | 1.57 | 0.90 |
| 120 | | | | 43 | 299 | 0.22 | 14.4 | 143 | 1.66 | 0.89 |
| 132 | | | | 40 | 373 | 0.24 | 17.1 | 144 | 1.62 | 0.88 |
| 108 | 1 | G15T8/OF | 15 | 45 | 334 | 0.32 | 17.4 | 150 | 1.53 | 0.87 |
| 120 | | | | 44 | 380 | 0.32 | 19.5 | 155 | 1.56 | 0.85 |
| 132 | | | | 43 | 419 | 0.33 | 21.3 | 160 | 1.56 | 0.84 |
| 108 | 1 | TUV 15W - G15T8 | 15 | 45 | 334 | 0.32 | 17.4 | 150 | 1.53 | 0.87 |
| 120 | | | | 44 | 380 | 0.32 | 19.5 | 155 | 1.56 | 0.85 |
| 132 | | | | 43 | 419 | 0.33 | 21.3 | 160 | 1.56 | 0.84 |
| 108 | 1 | TUV T8 F17 - G17T8 | 17 | 78 | 147 | 0.22 | 13.3 | 137 | 1.40 | 0.86 |
| 120 | | | | 75 | 178 | 0.23 | 15.3 | 140 | 1.42 | 0.88 |
| 132 | | | | 72 | 218 | 0.25 | 17.5 | 142 | 1.47 | 0.90 |

PERFORMANCE:

- Power Factor = >0.50
- Encased & Potted
- Sound Rated A
- Internal Surge Protection
- Meets FCC Part 18 (Class B) for EMI and RFI Consumer Limits
- Meets ANSI Standard C62.41 for Transient Protection
- Meets ANSI Standard C82.11 for Ballast Requirements

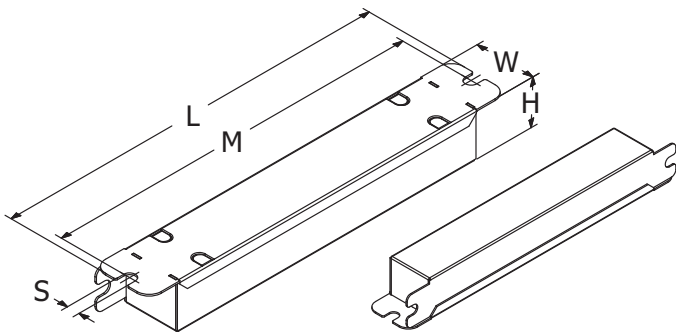
APPLICATION:

- Maximum Case Temperature: 167°F/75°C
- Maximum Ambient Temperature: 122°F/50°C
- Minimum Starting Temperature: 23°F/-5°C
- Remote Mounting: 18 ft. Max. Lead Length, 18AWG

SAFETY/STANDARDS:

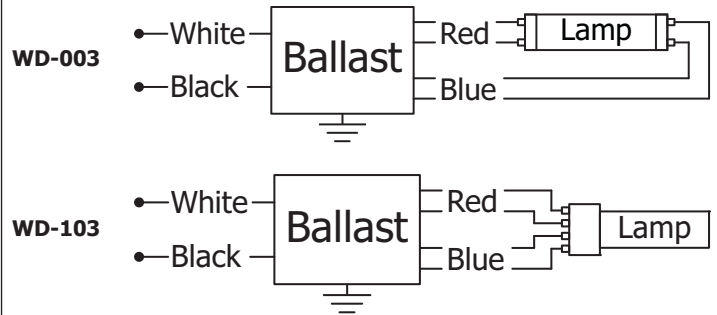
- UL/935 Listed (Class P, Type 1 Outdoor)
- cUL (CSA/C22.2 Certified)
- No PCBs, Type HL, Type CC
- Inherent Thermal Protection
- RoHS Compliant

CASE STYLE: CS-3C

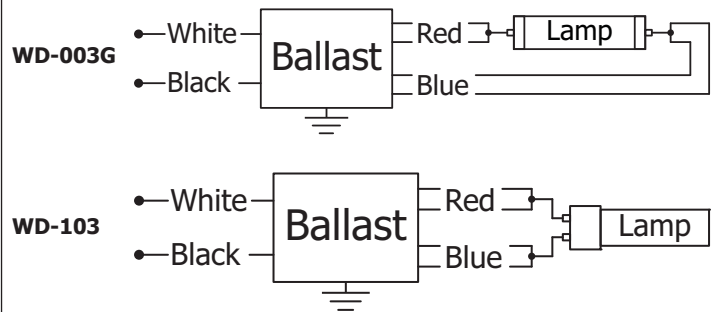


| L | W | H | M | S |
|----------|---------|---------|----------|---------|
| 5-29/32 | 7/8 | 3/4 | 5-5/8 | 3/16 |
| 5.91 | 0.91 | 0.75 | 5.63 | 0.19 |
| 15.00 cm | 2.30 cm | 1.91 cm | 14.29 cm | 0.48 cm |

WIRING DIAGRAM: (4-PIN LAMPS)



WIRING DIAGRAM: (2-PIN LAMPS)



- Black: 12"
- White: 12"
- Tolerance: +1.00, -0.50"
- Strip: 0.375" ± 0.060"
- Red: (2) 12"
- Blue: (2) 12"
- Tolerance: +1.00, -0.50"
- Strip: 0.375" ± 0.060"

WARRANTY:

Robertson Worldwide warrants to the purchaser that this product will be free from defects in material or workmanship for a period of 2 years from date of manufacture when properly installed and under normal condition of use. Specifications subject to change without notice.

For more information on Robertson Worldwide products, visit www.RobertsonLighting.com