

REN4F15T8120HL

Ballast Type:	Electronic
Input Voltage:	120VAC±10%
Input Frequency:	50/60 Hz.

Starting Method:	Preheat Rapid Start
Lamp Connection:	Series
Unit Weight	1.11 lb.

ELECTRICAL SPECIFICATION:

Line Voltage (V)	Lamp Type	Lamp Watts	No. of Lamps	Line Current (A)	Input Power (W)	Power Factor	Max Current THD (%)	Current Crest Factor	Ballast Factor	Wiring Diagram	B.E.F.	Setting
120	F15T8	15	4				≤150%	≤1.7		033		High
120	F15T8	15	4				≤150%	≤1.7		033		Low

PERFORMANCE:

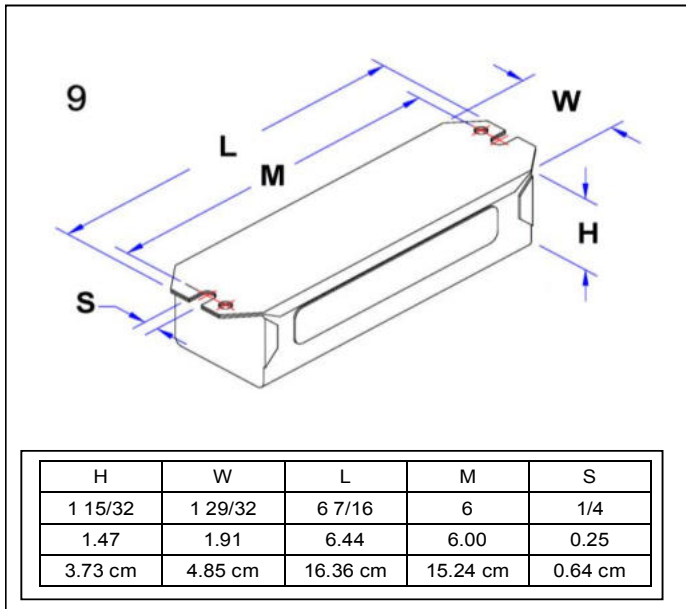
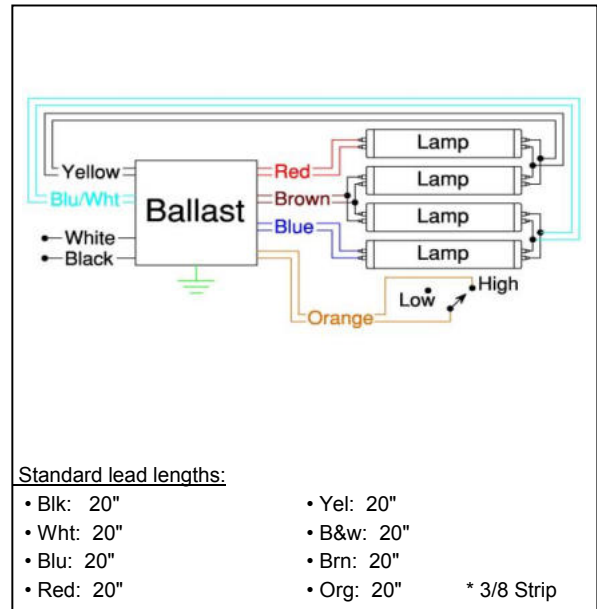
- Electronic ballast
- Preheat rapid start
- Series operation
- Normal power factor
- Encased and potted
- Sound rated
- Meets ANSI standard C82.11
- Meets ANSI standard C62.41

APPLICATION:

- Maximum case temperature: 167°F/75°C
- Maximum ambient temperature: 104°F/40°C
- Minimum starting temperature: 50°F/10°C
- Lamp starts: >15,000 starts
- Remote mounting: 18 ft.

SAFETY:

- UL/935 (Type 1 outdoor) recognized component
- CSA/C22.2 certified
- Inherent Thermal Protection
- No PCB's

STYLE:

WIRING DIAGRAM:

WARRANTY

Robertson Worldwide warrants to the purchaser that this ballast will be free from defects in material or workmanship for a period of 3 years from date of manufacture when properly installed and under normal conditions of use. For more information on Robertson Worldwide's ballasts, call 1-800-323-5633 or visit www.robertsonww.com. Specifications subject to change without notice.