

REI164G6HOMV

Ballast Type: Electronic
 Input Voltage: 120-277Vac ±10%
 Input Frequency: 50-60Hz

Starting Method: Instant
 Lamp Connection: Parallel

Unit Color: Black
 Unit Weight: 1.7 lbs.

ELECTRICAL SPECIFICATIONS:

Line Voltage (V)	Lamp Type	Lamp Wattage (W)	Approx. Lamp Length (in)	No. of Lamps	Arc Voltage (V)	Lamp Current (mA)	Line Current (A)	Input Power (W)	Energy Efficiency
120	G14T5HO	30	11	1	38	800	0.26	33	-
230							0.16		-
277							0.14		-
120	G10T5HO	32	14	1	40	800	0.28	35	-
230							0.16		-
277							0.14		-
120	G36T5HO GHO36T5	87	33	1	109	800	0.59	71	-
230							0.31		-
277							0.26		-
120	G64T5HO(*) GHO64T5	155	61	1	190	800	1.00	120	-
230							0.52		-
277							0.43		-
120	G67T5HO	160	64	1	200	800	1.10	129	-
230							0.56		-
277							0.51		-

(*) Primary Lamp Type

PERFORMANCE:

- Max Current THD ≤16%
- Current Crest Factor ≤1.6
- Power Factor ≥0.98
- Encased & Potted
- Sound Rated A
- Meets FCC Part 18 (Class A) for EMI and RFI Non-Consumer Limits
- Meets ANSI Standard C62.41 for Transient Protection
- Meets ANSI Standard C82.11 for Ballast Requirements

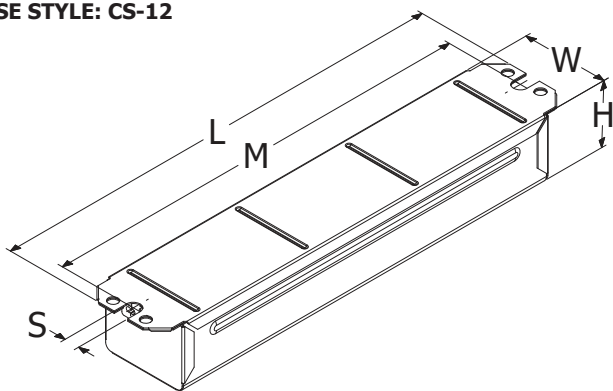
APPLICATION:

- Maximum Case Temperature 167°F/75°C
- Maximum Ambient Temperature 104°F/40°C
- Minimum Starting Temperature -0°F/-18°C
- Lamp Starts >15,000 Starts
- Remote Mounting 18 ft. Max. Lead Length, 18AWG

SAFETY/STANDARDS:

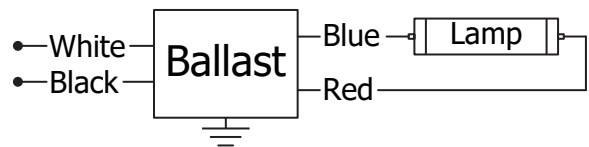
- UL/935 Listed (Class P, Type 1 Outdoor)
- cJUL (CSA/C22.2 Certified)
- No PCBs, Type HL
- Inherent Thermal Protection
- RoHS Compliant

CASE STYLE: CS-12



L	W	H	M	S
9-7/16	1-7/8	1-7/16	8-7/8	5/16
9.44	1.88	1.44	8.88	0.31
23.98 cm	4.75 cm	3.66 cm	22.56 cm	0.79 cm

WIRING DIAGRAM: WD-044A



- Black: 12"
- White: 12"
- Tolerance: +1.00, -0.50"
- Strip: 0.375" ± 0.060"
- Blue: 34"
- Red: 48"
- Tolerance: +2.00, -1.00"
- Strip: 0.375" ± 0.060"

WARRANTY:

Robertson Worldwide warrants to the purchaser that this product will be free from defects in material or workmanship for a period of 5 years from date of manufacture when properly installed and under normal condition of use. Specifications subject to change without notice.
 For more information on Robertson Worldwide products, visit www.RobertsonLighting.com