

R3225PWS

Ballast Type: Electromagnetic
 Input Voltage: 220VAC+5%,-10%
 Input Frequency: 50 Hz.

Starting Method: Rapid Start
 Lamp Connection: Series
 Unit Color: White

Unit Weight: 3.05 lb.
 Carton Quantity: 8
 Skid Quantity: 640

ELECTRICAL SPECIFICATION:

Line Voltage (V)	Lamp Type	Lamp Watts	No. of Lamps	Line Current (A)	Input Power (W)	Power Factor	Max Current THD (%)	Current Crest Factor	Ballast Factor	Wiring Diagram	B.E.F.
220	FC12T9	32	1	0.27	30	≥0.51	≤20	≤1.6	0.75	036	2.08
220	FC16T9	40	1	0.20	28	≤0.64	≤20	≤1.6	0.70	036	2.50

PERFORMANCE:

- Electromagnetic lag type ballast
- Rapid start
- Series operation
- Normal power factor
- Encased & potted
- Sound rated A
- Meets ANSI C82.1

APPLICATION:

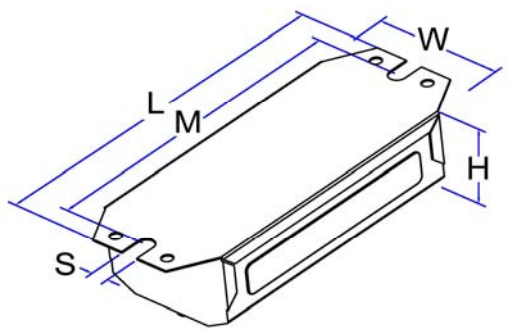
- Maximum case temperature: 194°F/90°C
- Maximum ambient temperature: 104°F/40°C
- Minimum starting temperature: 50°F/10°C
- Remote mounting: 10ft.

SAFETY:

- Automatic reset thermal protection
- No PCB's

STYLE:

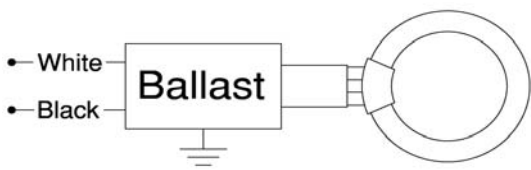
10



H	W	L	M	S
1 11/16	2 3/8	6 9/16	6	5/16
1.69	2.38	6.56	6.00	0.31
2.71 cm	6.03 cm	16.66 cm	15.24 cm	0.79 cm

WIRING DIAGRAM:

036



Standard lead lengths:

- Blk: 21"
- Wht: 21"
- Socket assembly: 8"

* 3/8" Strip

WARRANTY

Robertson Worldwide warrants to the purchaser that this ballast will be free from defects in material or workmanship for a period of 2 years from date of manufacture when properly installed and under normal conditions of use. For more information on Robertson Worldwide's ballasts, call 1-800-323-5633 or visit www.robertsonww.com. Specifications subject to change without notice.

Revised 12/8/05

ROBERTSON WORLDWIDE

 13611 Thornton Rd, Blue Island, IL 60406, TEL: 1-800-323-5633, FAX: 1-877-388-2420, www.robertsonww.com