

## R1205P

Ballast Type: Electromagnetic  
 Input Voltage: 120 VAC+5%,-10%  
 Input Frequency: 50 Hz.

Starting Method: Trigger Start  
 Lamp Connection: N/A  
 Unit Color: Black

Unit Weight: 2.1 lb  
 Carton Quantity: 30  
 Skid Quantity: 960

**ELECTRICAL SPECIFICATION:**

Line Voltage (V)	Lamp Type	Lamp Watts	No. of Lamps	Line Current (A)	Input Power (W)	Power Factor	Max Current THD (%)	Current Crest Factor	Ballast Factor	Wiring Diagram	B.E.F.
120	F14T8	14	1	0.57	26	≥0.40	≤15%	≤1.7	0.90	005	3.46
120	F15T8	15	1	0.53	26	≥0.41	≤10%	≤1.6	0.95	005	3.65
120	F14T12	14	1	0.57	26	≥0.40	≤10%	≤1.7	0.85	005	2.96
120	F15T12	15	1	0.54	27	≥0.44	≤10%	≤1.6	0.95	005	3.51
120	F20T12	20	1	0.51	27	≥0.45	≤10%	≤1.7	0.80	005	3.26

**PERFORMANCE:**

- Electromagnetic lag type ballast
- Trigger start
- Normal power factor
- Encased & potted
- Sound rated A
- Meets ANSI C82.1

**APPLICATION:**

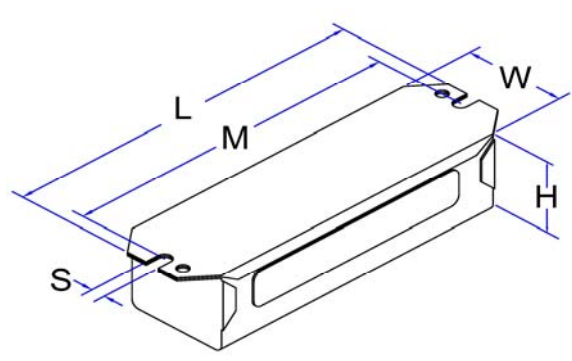
- Maximum case temperature: 194°F/90°C
- Maximum ambient temperature: 104°F/40°C
- Minimum starting temperature: 50°F/10°C
- Remote mounting: 10ft.

**SAFETY:**

- Automatic reset thermal protector
- No PCB's

**STYLE:**

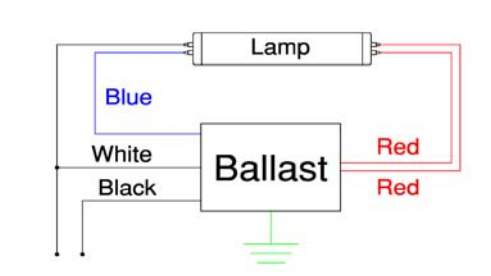
**9**



H	W	L	M	S
1 13/32	1 29/32	6 7/16	6	1/4
1.41	1.91	6.44	6.00	0.25
3.58cm	4.85cm	16.36cm	15.24cm	0.64cm

**WIRING DIAGRAM:**

**005**



USE CIRCUIT INTERRUPTING LAMP HOLDER

Standard lead lengths:

• Blk: 10"	• Red: (2) 14"
• Wht: 17"	• Blu: 18"

\* 3/8" Strip

**WARRANTY**

Robertson Worldwide warrants to the purchaser that this ballast will be free from defects in material or workmanship for a period of 2 years from date of manufacture when properly installed and under normal conditions of use. For more information on Robertson Worldwide's ballasts, call 1-800-323-5633 or visit [www.robertsonww.com](http://www.robertsonww.com). Specifications subject to change without notice.

Revised 1/9/06