

PSY454T5MVEL

Ballast Type: Electronic
 Input Voltage: 120 thru 277VAC ±10%
 Input Frequency: 47-63 Hz

Starting Method: Program Start
 Lamp Connection: Series/Parallel
 Unit Color: Black

Unit Weight: 2.8 lb
 Carton Quantity: 6
 Skid Quantity: 600

ELECTRICAL SPECIFICATION:

Line Voltage (V)	Lamp Type	Lamp Watts	No. of Lamps	Line Current (A)	Input Power (W)	Power Factor	Max Current THD (%)	Current Crest Factor	Ballast Factor	Wiring Diagram	B.E.F.
120	F54T5HO	54	1	0.50	60	≥0.99	≤10	≤1.7	1.03	086	1.72
277				0.24	60	≥0.90					
120	F54T5HO	54	2	0.98	118	≥0.99	≤10	≤1.7	1.00	087	0.85
277				0.42	115	≥0.96				088	0.87
120	F54T5HO	54	3	1.48	175	≥0.99	≤10	≤1.5	1.03	086	0.59
277				0.64	170	≥0.97				086	0.61
120	F54T5HO	54	4	1.97	234	≥0.99	≤10	≤1.7	1.00	088	0.43
277				0.84	227	≥0.97				088	0.44
120	F54T5HO/ES/51	51	1	0.45	54	≥0.99	≤10	≤1.7	1.02	086	1.89
277				0.22	54	≥0.89	≤12				
120	F54T5HO/ES/51	51	2	0.88	108	≥0.99	≤10	≤1.7	0.98	087	0.91
277				0.38	106	≥0.97				088	0.92
120	F54T5HO/ES/51	51	3	1.38	164	≥0.99	≤10	≤1.7	0.99	086	0.60
277				0.59	162	≥0.97				086	0.61
120	F54T5HO/ES/51	51	4	1.82	216	≥0.99	≤10	≤1.7	0.98	088	0.45
277				0.78	212	≥0.98				088	0.46
120	F54T5HO/ES/49	49	1	0.46	55	≥0.99	≤10	≤1.7	1.02	086	1.85
277				0.22	55	≥0.89	≤12				
120	F54T5HO/ES/49	49	2	0.85	104	≥0.99	≤10	≤1.7	0.98	087	0.94
277				0.36	102	≥0.96				088	0.96
120	F54T5HO/ES/49	49	3	1.32	157	≥0.99	≤10	≤1.7	0.99	086	0.63
277				0.56	155	≥0.97				086	0.64
120	F54T5HO/ES/49	49	4	1.76	208	≥0.99	≤10	≤1.7	0.98	088	0.47
277				0.75	204	≥0.98				088	0.48
120	F54T5HO/ES/47	47	1	0.42	51	≥0.99	≤10	≤1.7	1.03	086	2.02
277				0.21	51	≥0.85	≤12				
120	F54T5HO/ES/47	47	2	0.85	102	≥0.99	≤10	≤1.7	1.00	087	0.98
277				0.38	100	≥0.96				088	1.00
120	F54T5HO/ES/47	47	3	1.29	154	≥0.99	≤10	≤1.7	1.01	086	0.65
277				0.57	152	≥0.96				086	0.66
120	F54T5HO/ES/47	47	4	1.71	204	≥0.99	≤10	≤1.7	1.00	088	0.49
277				0.74	200	≥0.98				088	0.50
120	F39T5HO	39	1	0.38	46	≥0.99	≤10	≤1.7	1.18	086	2.56
277				0.19	46	≥0.85	≤15				
120	F39T5HO	39	2	0.81	97	≥0.99	≤10	≤1.7	1.13	087	1.16
277				0.35	94	≥0.95				088	1.2
120	F39T5HO	39	3	1.24	149	≥0.99	≤10	≤1.7	1.15	086	0.77
277				0.54	146	≥0.97				086	0.79
120	F39T5HO	39	4	1.62	193	≥0.99	≤10	≤1.7	1.13	088	0.59
277				0.70	189	≥0.98				088	0.60
120	FT55W/2G11/RS	55	1	0.45	54	≥0.93	≤10	≤1.7	0.93	086	1.72
277				0.23	54	≥0.93	≤12				
120	FT55W/2G11/RS	55	2	0.94	112	≥0.99	≤10	≤1.7	0.91	087	0.81
277				0.41	110	≥0.96				088	0.83
120	FT55W/2G11/RS	55	3	1.42	170	≥0.99	≤10	≤1.7	0.93	086	0.55
277				0.61	166	≥0.97				086	0.56
120	FT55W/2G11/RS	55	4	1.88	224	≥0.99	≤10	≤1.7	0.91	088	0.40
277				0.80	220	≥0.97				088	0.41

PSY454T5MVEL

Ballast Type: Electronic
 Input Voltage: 120 thru 277VAC ±10%
 Input Frequency: 47-63 Hz

Starting Method: Program Start
 Lamp Connection: Series/Parallel
 Unit Color: Black

Unit Weight: 2.8 lb
 Carton Quantity: 6
 Skid Quantity: 600

ELECTRICAL SPECIFICATION:

Line Voltage (V)	Lamp Type	Lamp Watts	No. of Lamps	Line Current (A)	Input Power (W)	Power Factor	Max Current THD (%)	Current Crest Factor	Ballast Factor	Wiring Diagram	B.E.F.
120	FT50W/2G11/RS	50	1	0.48	57	≥0.99	≤10	≤1.7	1.05	086	1.84
277				0.23	57	≥0.89	≤12				
120	FT50W/2G11/RS	50	2	0.96	114	≥0.99	≤10	≤1.7	1.06	087	0.93
277				0.41	111	≥0.96				088	0.95
120	FT50W/2G11/RS	50	3	1.44	172	≥0.99	≤10	≤1.7	1.05	086	0.61
277				0.62	167	≥0.97					0.63
120	FT50W/2G11/RS	50	4	1.89	226	≥0.99	≤10	≤1.7	1.04	088	0.46
277				0.82	222	≥0.98					0.47
120	FT36W/2G11	36	1	0.35	42	≥0.98	<10	≤1.7	1.05	086	2.50
277				0.18	42	≥0.84	≤15				
120	FT36W/2G11	36	2	0.68	83	≥0.99	≤10	≤1.7	1.06	087	1.28
277				0.33	82	≥0.94				088	1.29
120	FT36W/2G11	36	3	1.06	128	≥0.99	≤10	≤1.7	1.05	086	0.82
277				0.48	126	≥0.97					0.83
120	FT36W/2G11	36	4	1.42	168	≥0.99	≤10	≤1.7	1.04	088	0.62
277				0.65	165	≥0.96					0.63
120	F58T8	58	1	0.45	54	≥0.99	<10	≤1.7	0.98	086	1.81
277				0.22	54	≥0.89	≤12				
120	F58T8	58	2	0.89	105	≥0.99	≤10	≤1.7	0.92	087	0.88
277				0.41	103	≥0.95				088	0.89
120	F58T8	58	3	1.33	159	≥0.99	≤10	≤1.7	0.95	086	0.59
277				0.58	156	≥0.97					0.61
120	F58T8	58	4	1.77	210	≥0.99	≤10	≤1.7	0.92	088	0.43
277				0.78	207	≥0.97					0.44
120	FC12T5	55	1	0.44	52	≥0.99	<10	≤1.7	0.86	088	1.65
277				0.18	52	≥0.85	≤12				
120	FC12T5	55	2	0.85	102	≥0.99	≤10	≤1.7	0.83	087	0.81
277				0.36	99	≥0.96				088	0.83
120	FC12T5	55	3	1.30	156	≥0.99	≤10	≤1.7	0.85	086	0.54
277				0.55	152	≥0.96					0.56
120	FC12T5	55	4	1.72	206	≥0.99	≤10	≤1.7	0.83	088	0.40
277				0.73	202	≥0.97					0.41

PSY454T5MVEL

Ballast Type:	Electronic
Input Voltage:	120 thru 277VAC ±10%
Input Frequency:	47-63 Hz

Starting Method:	Program Start
Lamp Connection:	Series/Parallel
Unit Color:	Black

Unit Weight:	2.8 lb
Carton Quantity:	6
Skid Quantity:	600

PERFORMANCE:

- Electronic ballast
- Program start
- Series/Parallel operation
- High power factor
- Encased & potted
- Sound rated A
- End of Lamp Life protection per ANSI C82.11
- Internal surge protection
- Meets FCC Part 18 (Class A) for EMI and RFI non-consumer limits
- Meets ANSI standard C82.11 for ballast requirements
- Meets ANSI standard C62.41 for transient protection

APPLICATION:

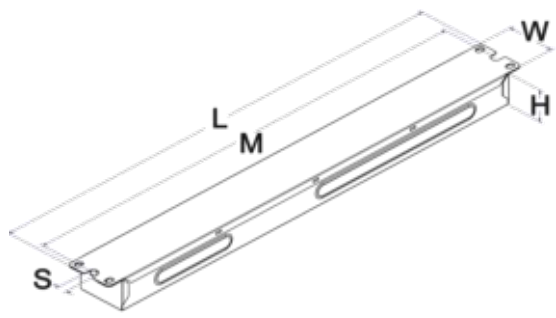
- Maximum case temperature: 194°F/90°C
- Maximum ambient temperature: 131°F/55°C
- Minimum starting temperature: 0°F/-18°C
- Lamp starts: >50,000 starts
- Remote mounting: 20 ft.

SAFETY:

- UL/935 (Class P, Type HL, Type 1 outdoor) listed
- cUL (CSA 22.2) listed
- RoHS Compliant
- No PCB's

CASE STYLE:

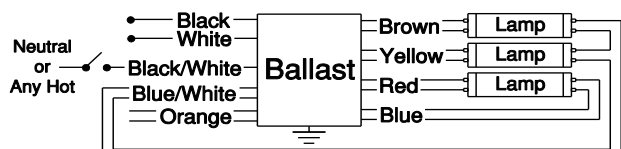
31



H	W	L	M	S
1 3/16	1 23/32	16 3/4	16 5/16	5/16
1.19	1.72	16.75	16.31	0.31
3.02 cm	4.37 cm	42.55 cm	41.43 cm	0.79 cm

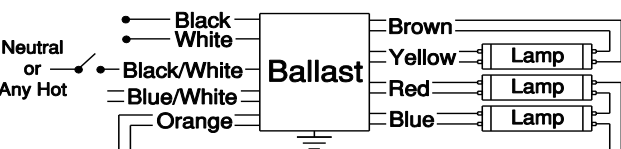
WIRING DIAGRAM:

086



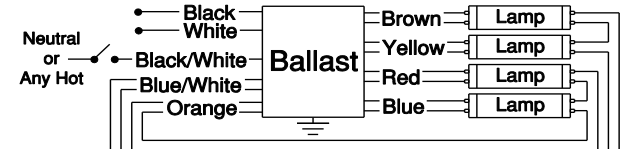
Cap and Insulate Orange Leads Separately to 600V

087



Cap and Insulate Blue/White Leads Separately to 600V

088



Lead Lengths: Tolerance +2.00 -1.00, strip 0.375", Tolerance ±0.06

Standard:

- Blk: (2) 20"
- Wht: (2) 20"
- Blk/Wht: (2) 20"
- Orange: (2) 49"
- Blu/Wht: (2) 49"
- Yel: (2) 32"
- Red: (2) 32"
- Brn: (2) 32"
- Blu: (2) 32"

WARRANTY:

Robertson Worldwide warrants to the purchaser that this ballast will be free from defects in material or workmanship for a period of five years for operation at a maximum case temperature of 75°C and a period of three years for operation at a maximum case temperature of 90°C from date of manufacture when properly installed and under normal conditions of use. For more information on Robertson Lighting products, visit www.robertsondirect.com without notice. Specifications subject to change

Revised 4/8/2014

ROBERTSON WORLDWIDE

13611 Thornton Rd, Blue Island, IL 60406, FAX: 1-877-388-2420, www.robertsondirect.com