

### PSP2GPH48HOIV

Ballast Type: Electronic  
 Input Voltage: 100-277Vac ±10%  
 Input Frequency: 47-63Hz

Starting Method: Program Start  
 Lamp Connection: Series

Unit Color: Galvanneal  
 Unit Weight: 1.19 lbs.

**ELECTRICAL SPECIFICATIONS:**

Line Voltage (V)	Lamp Type	Lamp Wattage (W)	Approx. Lamp Length (in)	No. of Lamps	Arc Voltage (V)	Lamp Current (mA)	1-10V Dimming Min. / Max. 33%-50% depending on lamp load		
							Line Current (A)	Input Power (W)	Electrical Efficiency
100	GPH212T5L/HO	18	8	2	23	800	0.44 / 0.59	44.3 / 58.8	0.53 / 0.78
120							0.37 / 0.48	43.7 / 57.6	0.53 / 0.79
240							0.19 / 0.25	44.5 / 57.7	0.52 / 0.78
277							0.17 / 0.22	45.0 / 58.5	0.52 / 0.78
100	GPH357T5L/HO	32	14	2	40	800	0.64 / 0.87	64.3 / 87.6	0.43 / 0.80
120							0.53 / 0.72	63.7 / 86.5	0.44 / 0.81
240							0.27 / 0.36	63.3 / 85.1	0.44 / 0.82
277							0.24 / 0.31	62.9 / 85.3	0.44 / 0.82
100	GPH357T5L/HO	32	14	1	40	800	0.36 / 0.48	35.9 / 47.8	0.55 / 0.78
120							0.30 / 0.40	35.6 / 47.5	0.55 / 0.79
240							0.16 / 0.21	36.4 / 48.1	0.53 / 0.78
277							0.15 / 0.19	36.9 / 48.6	0.53 / 0.77
100	GPH436T5L/HO	48	17	2	60	800	0.74 / 1.02	74.5 / 102.3	0.39 / 0.82
120							0.61 / 0.84	73.4 / 100.7	0.40 / 0.83
240							0.31 / 0.41	72.9 / 98.6	0.40 / 0.85
277							0.27 / 0.36	73.1 / 99.1	0.40 / 0.85
100	GPH436T5L/HO	48	17	1	60	800	0.40 / 0.53	39.6 / 53.6	0.55 / 0.81
120							0.33 / 0.44	39.4 / 53.3	0.55 / 0.82
240							0.18 / 0.23	40.1 / 53.7	0.54 / 0.81
277							0.16 / 0.21	40.5 / 54.1	0.53 / 0.80
100	GPH793T5L/HO	73	31	1	92	800	0.62 / 0.88	61.7 / 88.5	0.64 / 0.87
120							0.51 / 0.72	61.2 / 86.9	0.64 / 0.88
240							0.26 / 0.36	61.3 / 85.9	0.64 / 0.89
277							0.23 / 0.32	61.7 / 86.3	0.64 / 0.89
100	GPH893T5L/HO	95	35	1	120	800	0.70 / 1.03	70.5 / 103.5	0.59 / 0.85
120							0.58 / 0.85	69.6 / 102.2	0.59 / 0.87
240							0.29 / 0.42	68.7 / 100.2	0.60 / 0.89
277							0.26 / 0.37	69.4 / 100.5	0.59 / 0.89
100	HNS-L95W-2G11	95	21	1	115	800	0.71 / 1.07	71.8 / 107.7	0.59 / 0.85
120							0.59 / 0.88	70.9 / 105.7	0.59 / 0.87
240							0.30 / 0.43	70.5 / 103.3	0.60 / 0.89
277							0.26 / 0.38	70.8 / 103.6	0.60 / 0.89
100	PLL-35W	35	7	2	42	850	0.67 / 0.96	67.4 / 95.9	0.41 / 0.81
120							0.55 / 0.79	66.7 / 94.6	0.42 / 0.83
240							0.28 / 0.39	66.0 / 93.0	0.42 / 0.84
277							0.25 / 0.34	66.7 / 93.0	0.42 / 0.84
100	PLL-35W	35	7	1	42	850	0.37 / 0.53	37.0 / 52.9	0.54 / 0.81
120							0.31 / 0.44	36.9 / 52.6	0.54 / 0.81
240							0.17 / 0.23	37.6 / 52.9	0.53 / 0.81
277							0.15 / 0.20	38.0 / 53.3	0.52 / 0.80

**PERFORMANCE:**

- Program Start electronic ballast
- Max Current THD = ≤15%
- Power Factor = ≥0.95
- Poke-in, Easy release connectors
- Connector power & lamp LED
- 0-10V Controlled Output to 50%
- Remote On/Off Control
- Internal Surge Protection
- Encased & Potted
- End of Lamp Life Protection
- Ignition attempts before EOL shutdown – 2
- Rh/Rc = 4.70 for longest lamp life
- Best in class performance for EMC and EMI FCC Part 18 Class B and EN55015
- Meets ANSI Standard C62.41-1991 for transient protection
- Meets ANSI Standard C82.11-2011 for ballast requirements
- EN61000-3-2: 2014 Electromagnetic compatibility (EMC) — Part 3-2: Limits — Limits for harmonic current emissions (equipment input current ≤ 16 A per phase)
- EN61000-3-3: 2013 Electromagnetic compatibility (EMC) — Part 3-3: Limits — Limitation of voltage changes, voltage fluctuations and flicker in public low voltage supply systems, for equipment with rated current ≤ 16 A per phase and not subjected to conditional connection
- EN61547: 2009, Equipment for general lighting purposes — EMC immunity requirement

**APPLICATION:**

- Flexible wiring
- IP61 Rated
- Maximum case temperature 194°F/90°C
- Maximum ambient temperature 140°F/60°C
- Minimum starting temperature 0°F/-18°C
- Lamp Starts >50,000 Starts
- Remote Mounting 18 ft. Max. Lead Length, 18AWG
- 2.5 second preheat time

**SAFETY/STANDARDS:**

- UL/935 Listed (Class P, Type CC, Type 1 Outdoor, Type HL)
- cUL (CSA/C22.2 Certified)
- Leakage Current to UL/935 Standard
- CE Compliant
- EN 61347-1:2001
- EN 61347-2-1:2001
- EN 61347-2-3:2000
- RoHS EU Directive 2011/65/EU&2015/863 Amendment (RoHS 3)
- No PCB's
- Steel Enclosure
- Robertson Patented All\*Star and IEC 61547-2-3 EOL Protection for:
  - Open filaments
  - High lamp voltage
  - Lamp rectification
  - Limited restrike attempts
  - Low input voltage

**WARRANTY:**

Robertson Worldwide warrants to the purchaser that this product will be free from defects in material or workmanship for a period of 5 years from date of manufacture when properly installed and under normal condition of use. Specifications subject to change without notice.

For more information on Robertson Worldwide products, visit [www.RobertsonLighting.com](http://www.RobertsonLighting.com)

## PSP2GPH48HOIV

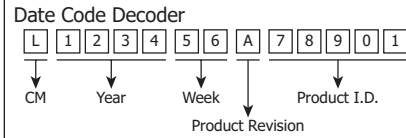
### U.S. PATENT NUMBERS:

6,366,032 B1 ; 6,420,838 B1; 5,436,529

### FEATURES:

- Expanded lamp power range
- Remote Control Switching
- Remote relay driver for lamp indication
- Remote relay (5.0V, 30mA)
- 0-10V input dimming control
- Power and Lamp LED connectors (5.0V)

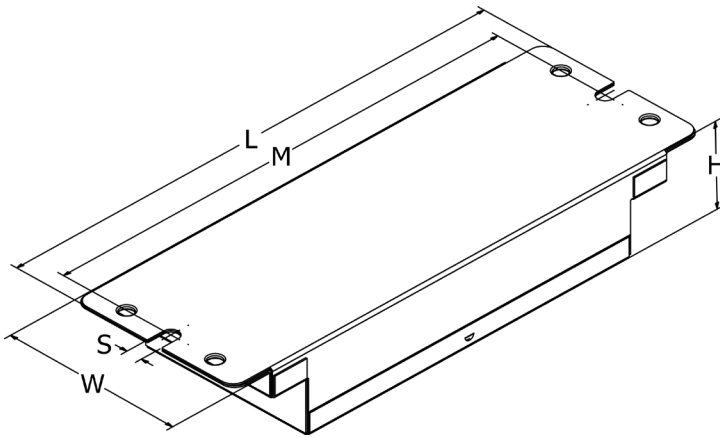
Click on image to view 3D model  
(Download and Open in [Adobe Reader 7](#) or later)



3D step file



### CASE STYLE: CS-14B

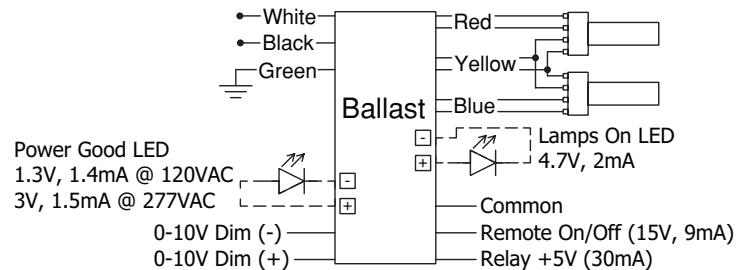


L	W	H	M	S
8 5/32	2 25/32	1 3/8	7 9/16	1/4
8.16	2.80	1.39	7.58	0.25
20.72cm	7.10cm	3.52cm	19.26cm	0.64cm

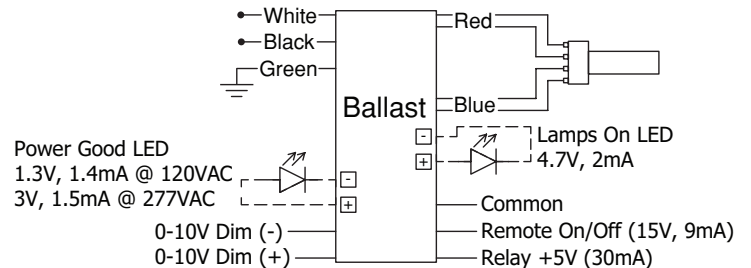
### LED SPECIFICATIONS:

LED	Recommended Max. LED Rating	Output Voltage (Vdc)	Output Current (mA)	
Power	5.0V, 30mA	3.0V	1mA @ 120V 2mA @ 277V	LED Is Not Isolated
Lamp	5.0V, 30mA	4.0V	2mA @ 120V 2mA @ 277V	LED Is Isolated

### WIRING DIAGRAM: WD-154A



### WIRING DIAGRAM: WD-154A2



- Use 18 AWG Solid Copper Wire, Stripped to 3/8"
- For 1 Lamp Application Omit Yellow Connections
- Close Single Switch Remote On/Off to Turn Off Ballast
- 5V Relay Contacts are closed when lamp(s) On

### WARRANTY:

Robertson Worldwide warrants to the purchaser that this product will be free from defects in material or workmanship for a period of 5 years from date of manufacture when properly installed and under normal condition of use. Specifications subject to change without notice.

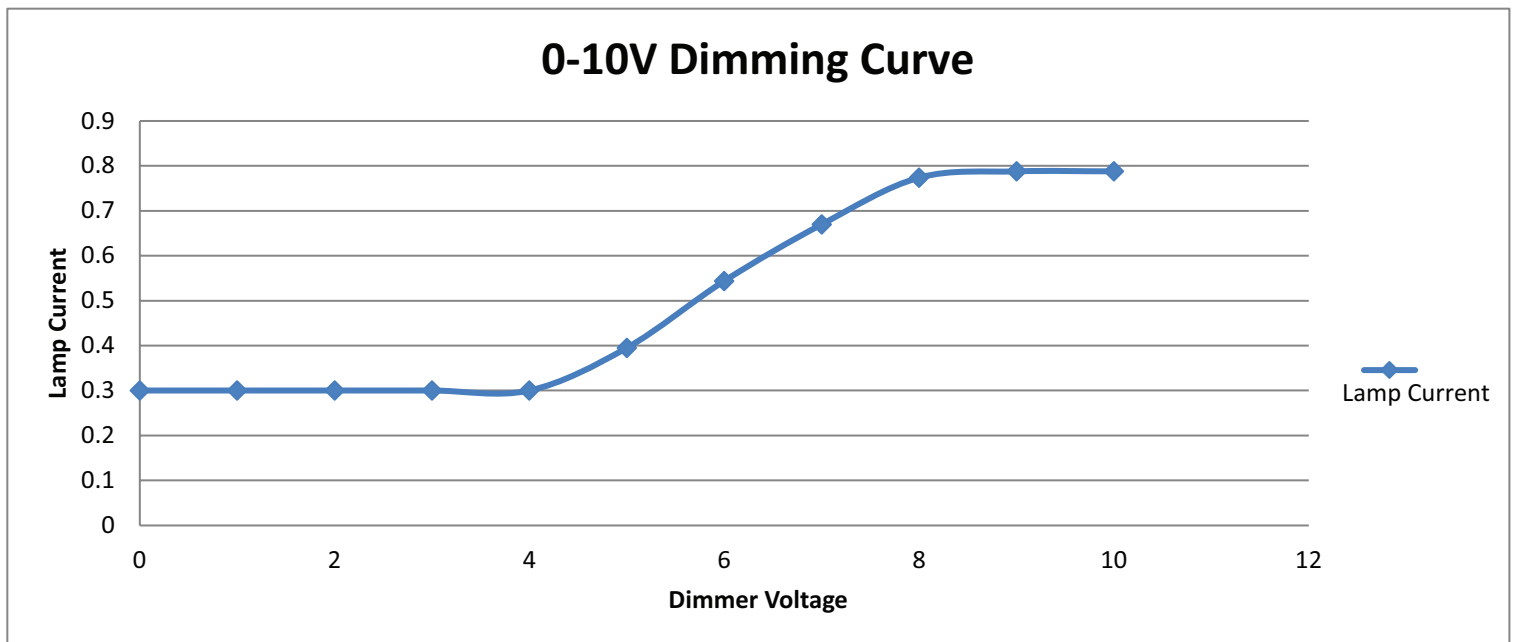
For more information on Robertson Worldwide products, visit [www.RobertsonLighting.com](http://www.RobertsonLighting.com)

4152 Independence Court, Suite C2, Sarasota, FL 34234

## PSP2GPH48HOIV

0-10V Dimming Curve		
Line Voltage (Vrms)	Dimmer Voltage (V)	Lamp Current (A)
120	10	0.788
120	9	0.788
120	8	0.774
120	7	0.670
120	6	0.544
120	5	0.395
120	4	0.300
120	3	0.300
120	2	0.300
120	1	0.300
120	0	0.300

Lamp under test: GPH436T5L/HO (2)



**WARRANTY:**

Robertson Worldwide warrants to the purchaser that this product will be free from defects in material or workmanship for a period of 5 years from date of manufacture when properly installed and under normal condition of use. Specifications subject to change without notice.

For more information on Robertson Worldwide products, visit [www.RobertsonLighting.com](http://www.RobertsonLighting.com)