

PSM2GPH18MVW • PSM2GPH18MVBW • PSM2GPH18MVBWSW

Ballast Type: Electronic
 Input Voltage: 120 thru 277VAC ±10%
 Input Frequency: 50/60 Hz.

Starting Method: Programmed
 Lamp Connection: Series
 Unit Color: White

Unit Weight: 0.8 lb.
 Carton Quantity: 50
 Skid Quantity: 1750/1800/1800

ELECTRICAL SPECIFICATION:

Line Voltage (V)	Lamp Type	Lamp Watts	Approx. Lamp Length	No. of Lamps	Line Current (A)	Input Power (W)	Power Factor	Max Current THD (%)	Current Crest Factor	Wiring Diagram	B.E.F.
120-277	GPH212T5	10	8	1	0.12-0.05	13	≥0.90	≤15	<1.7	152	/
				2	0.20-0.09	22				153	/
120-277	GPH287T5	14	11	1	0.15-0.06	16	≥0.90	≤15	<1.7	152	/
				2	0.28-0.12	30				153	/
120-277	GPH357T5	17	14	1	0.18-0.08	20	≥0.90	≤15	≤1.6	152	/
				2	0.31-0.14	34		≤10		153	/
120-277	GPH406T5	19	16	1	0.19-0.08	22	≥0.95	≤15	≤1.7	152	/
				2	0.32-0.14	37	≥0.98	≤10		≤1.6	153
120-277	GPH463T5	22	18	1	0.20-0.09	23	≥0.95	≤15	≤1.7	152	/
				2	0.39-0.17	46	≥0.98	≤10		≤1.6	153
120-277	GPH508T5	24	20	1	0.26-0.11	30	≥0.95	≤15	≤1.7	152	/
				2	0.44-0.19	52	≥0.98	≤10		≤1.6	153
120-277	GPH711T5	34	28	1	0.33-0.14	38	≥0.96	≤10	≤1.6	152	/
120-277	GPH810T5	38	32	1	0.33-0.15	39	≥0.96	≤10	≤1.6	152	/
120-277	GPH851T5	41	33	1	0.36-0.15	41	≥0.96	≤10	≤1.6	152	/
120-277	GPL18K	18	9	1	0.24-0.10	26	≥0.90	≤15	≤1.6	152	/
				2	0.39-0.17	46	≥0.98	≤10		153	/
120-277	GPL36K	36	15	1	0.36-0.15	42	≥0.98	≤10	≤1.6	152	/
				2	0.72-0.30	84	≥0.98	≤10	≤1.6	153	/
120-277	TUV11W 4P-SE	11	9	1	0.13-0.06	14	≥0.90	≤15	≤1.6	152	/
				2	0.23-0.10	25				153	/
120-277	TUV16W 4P-SE	16	12	1	0.16-0.07	17	≥0.90	≤15	≤1.6	152	/
				2	0.29-0.12	31				153	/
120-277	TUV18WPL-L	18	9	1	0.24-0.10	26	≥0.90	≤15	≤1.6	152	/
				2	0.39-0.17	46	≥0.98	≤10		153	/
120-277	TUV25W 4P-SE	25	21	1	0.26-0.11	30	≥0.95	≤10	≤1.6	152	/
				2	0.44-0.19	52	≥0.98	≤10		153	/
120-277	TUV36WPL-L	36	16	1	0.36-0.15	42	≥0.98	≤10	≤1.6	152	/
120-277	TUV36T5-4P-SE	36	33	1	0.35-0.15	41	≥0.98	≤10	≤1.6	152	/

PERFORMANCE:

- High efficiency electronic ballast
- Programmed start
- Series operation
- High power factor
- Encased & potted
- Sound rated A
- All-star protection
- Meets FCC Part 18 (Class B) for EMI and RFI consumer limits at 120V - 240V
- Meets ANSI standard C82.11 and C62.41

APPLICATION:

- Maximum case temperature: 194°F/90°C
- Maximum ambient temperature: 140°F/60°C
- Minimum starting temperature: -22°F/-30°C†
- Not recommended for extreme temperature variations
- Lamp starts: >50,000 starts
- Remote mounting: 18 ft.

SAFETY:

- UL/935 (Class P, Type HL, Type 1 outdoor) listed
- CSA/C22.2 certified
- No PCB's
- RoHS Compliant

ORDERING INFORMATION:

- Side Leads - W (Standard lead lengths 12")
- Bottom Entry - BW
- Bottom Entry w Studs - BSW

U.S. PATENT NUMBERS:

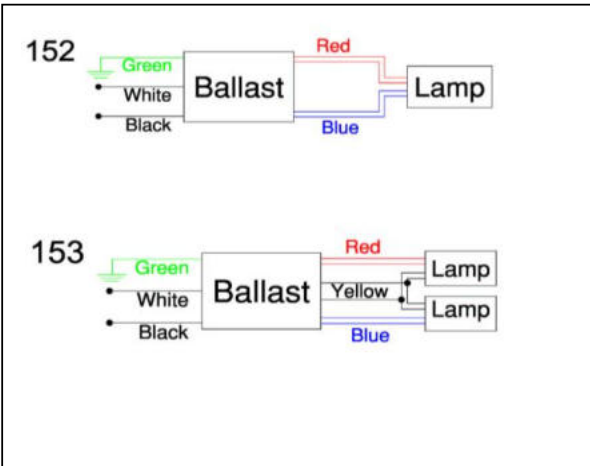
6,366,032 B1 and 6,420,838 B1

STYLE:

28

H	W	L	M	S
1	2 3/8	5	4 5/8	3/16
1.00	2.38	5.00	4.63	0.19
2.54 cm	6.05 cm	12.70 cm	11.76 cm	0.47 cm

WIRING DIAGRAM:



WARRANTY:

Robertson Worldwide warrants to the purchaser that this ballast will be free from defects in material or workmanship for a period of 5 years from date of manufacture when properly installed and under normal conditions of use. For more information on Robertson Worldwide's ballasts, call 1-800-323-5633 or visit www.robertsonww.com. Specifications subject to change without notice

ROBERTSON WORLDWIDE