

PSM226CQ347W • PSM226CQ347DW • PSM226CQ347DSW

Ballast Type:	Electronic
Input Voltage:	347VAC ±10%
Input Frequency:	50/60 Hz.

Starting Method:	Programmed
Lamp Connection:	Series
Unit Color:	White

Unit Weight:	0.8 lb.
Carton Quantity:	50
Skid Quantity:	1750/1800/1800

ELECTRICAL SPECIFICATION:

Line Voltage (V)	Lamp Type	Lamp Watts	No. of Lamps	Line Current (A)	Input Power (W)	Power Factor	Max Current THD (%)	Current Crest Factor	Ballast Factor	Wiring Diagram	B.E.F.
347	CFQ26W/G24q CFTR26W/GX24q	26	1	0.09	31	≥0.98	≤10	≤1.5	1.02	152	3.29
347	CFQ26W/G24q CFTR26W/GX24q	26	2	0.17	58	≥0.98	≤10	≤1.4	0.99	153	1.71
347	CFTR32W/G24q CFTR32W/G24q	32	1	0.11	36	≥0.98	≤10	≤1.5	0.99	152	2.75
			2	0.20	70	≥0.98	≤10	≤1.4	0.99	153	1.41
347	CFTR42W/GX24q	42	1	0.15	50	≥0.98	≤10	≤1.5	1.00	152	2.00
347	FT24W/2G11 FT24W/2G11	24	1	0.09	29	≥0.98	≤10	≤1.5	0.91	152	3.14
			2	0.15	52	≥0.98	≤10	≤1.5	0.88	153	1.69
347	FC12T5	40	1	0.12	40	≥0.98	≤10	≤1.5	0.99	152	2.48
347	FC9T5	22	1	0.08	27	≥0.98	≤10	≤1.6	0.99	152	3.67
347	CFS28W/GR10q CFS28W/GR10q	28	1	0.10	33	≥0.98	≤10	<1.5	0.96	152	2.91
			2	0.17	60	≥0.98	≤10	≤1.4	0.95	153	1.58
347	CFM57W/GX24q	57	1	0.17	56	≥0.98	≤10	≤1.5	0.95	152	1.70

PERFORMANCE:

- High efficiency electronic ballast
- Programmed start
- Series operation
- High power factor
- Encased & potted
- Sound rated A
- All-star protection: Protects against *open-filaments, high lamp voltage, lamp rectification, low line voltage, damaged or shattered glass, & high temperature conditions*
- Meets FCC Part 18 (Class A) for EMI and RFI non-consumer limits
- Meets ANSI standard C82.11
- Meets ANSI standard C62.41

APPLICATION:

- Maximum case temperature: 194°F/90°C
- Maximum ambient temperature: 140°F/60°C
- Minimum starting temperature: -22°F/-30°C†
- Not recommended for extreme temperature variations
- Lamp starts: >50,000 starts
- Remote mounting: 18 ft.
- Compatible with leading manufacturers of Emergency Battery Packs

† Please consult lamp manufacturer's data regarding Lumen Output vs. Ambient Temperature

SAFETY:

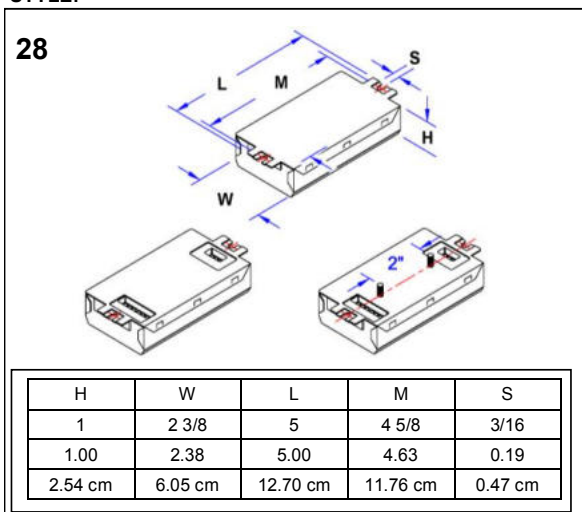
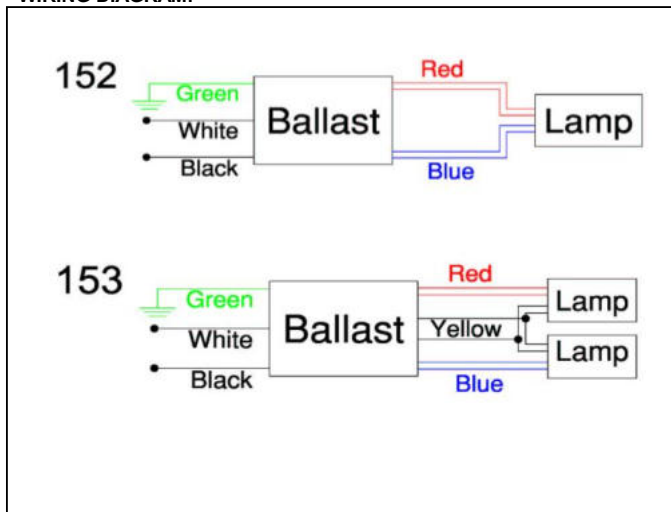
- Class P, Type HL, Type CC, Type , outdoor listed
- CSA/C22.2 certified
- No PCB's
- RoHS Compliant

ORDERING INFORMATION:

- Side Leads - W (Standard lead lengths 12")
- Dual Entry - DW
- Dual Entry with Studs - DSW
- Use 18AWG solid copper wire (stripped to 3/8")

U.S. PATENT NUMBERS:

6,366,032 B1 and 6,420,838 B1

STYLE:

WIRING DIAGRAM:

WARRANTY:

Robertson Worldwide warrants to the purchaser that this ballast will be free from defects in material or workmanship for a period of 5 years from date of manufacture when properly installed and under normal conditions of use. For more information on Robertson Worldwide's ballasts, call 1-800-323-5633 or visit www.robertsonww.com. Specifications subject to change without notice

Revised 12/21/10

ROBERTSON WORLDWIDE

13611 Thornton Rd, Blue Island, IL 60406, TEL: 1-800-323-5633, FAX: 1-877-388-2420, www.robertsonww.com