

PSM218CQMVW • PSM218CQMVDW • PSM218CQMVDW

Ballast Type: Electronic
 Input Voltage: 120 thru 277VAC ±10%
 Input Frequency: 50/60 Hz.

Starting Method: Programmed
 Lamp Connection: Series
 Unit Color: White

Unit Weight: 0.8 lb.
 Carton Quantity: 50
 Skid Quantity: 1750/1800/1800

ELECTRICAL SPECIFICATION:

Line Voltage (V)	Lamp Type	Lamp Watts	No. of Lamps	Line Current (A)	Input Power (W)	Power Factor	Max Current THD (%)	Current Crest Factor	Ballast Factor	Wiring Diagram	B.E.F.
120	CFT13W/2GX7	13	1	0.11	14	≥0.97	≤15	≤1.6	0.94	152	6.71
277				0.05							
120	CFT13W/2GX7	13	2	0.21	25	≥0.98	≤10	≤1.6	0.90	153	3.60
277				0.09							
120	CFQ18W/G24q	18	1	0.20	23	≥0.98	≤10	≤1.6	1.00	152	4.34
277				CFTR18W/GX24q							
120	CFQ18W/G24q	18	2	0.35	42	≥0.98	≤10	≤1.5	0.98	153	2.33
277				CFTR18W/GX24q							
120	CFS21W/GR10q	18	1	0.20	25	≥0.98	≤10	≤1.6	1.00	152	4.00
277				0.09							
120	CFS21W/GR10q	21	2	0.40	42	≥0.98	≤10	≤1.5	0.98	153	2.33
277				0.16							

PERFORMANCE:

- High efficiency electronic ballast
- Programmed start
- Series operation
- High power factor
- Encased & potted
- Sound rated A
- All-star protection: Protects against *open-filaments, high lamp voltage, lamp rectification, low line voltage, damaged or shattered glass, & high temperature conditions*
- Internal surge protection
- Meets FCC Part 18 (Class A) for EMI and RFI non-consumer limits
- Meets ANSI standard C82.11
- Meets ANSI standard C62.41

APPLICATION:

- Maximum case temperature: 194°F/90°C
 - Maximum ambient temperature: 140°F/60°C
 - Minimum starting temperature: -22°F/-30°C†
 - Not recommended for extreme temperature variations
 - Lamp starts: >50,000 starts
 - Remote mounting: 18 ft.
 - Compatible with leading manufacturers of Emergency Battery Packs
- † Please consult lamp manufacturer's data regarding Lumen Output vs. Ambient Temperature

SAFETY:

- UL/935 (Class P, Type HL, Type CC, Type 1 outdoor) listed
- CSA/C22.2 certified
- No PCB's
- RoHS Compliant

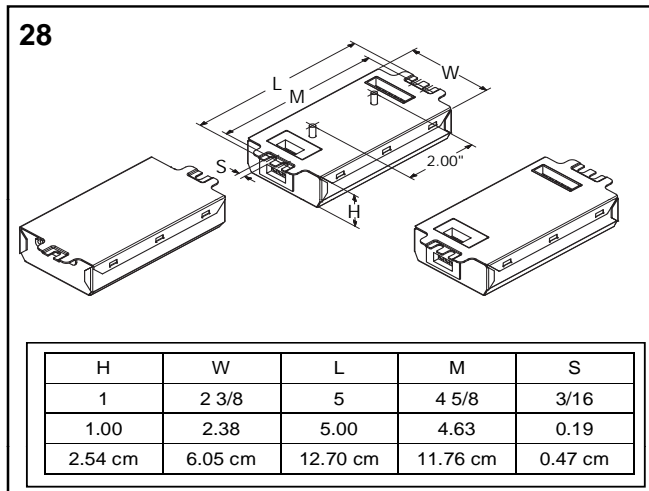
ORDERING INFORMATION:

- Side Leads - W (Standard lead lengths 12")
- Dual Entry - DW
- Dual Entry with Studs - DSW
- Use 18AWG solid copper wire (stripped to 3/8")

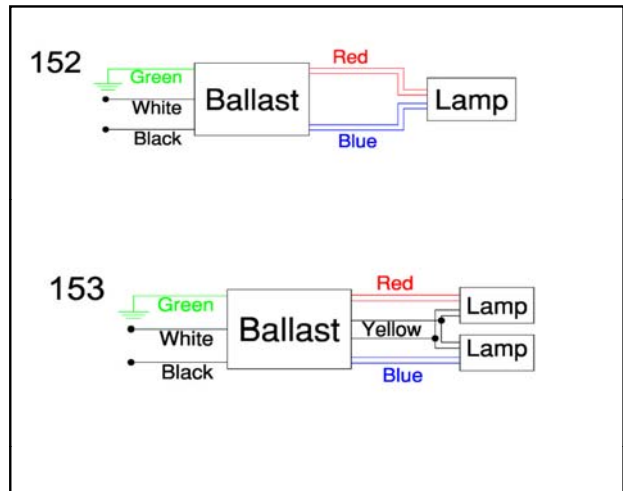
U.S. PATENT NUMBERS:

6,366,032 B1 ; 6,420,838 B1 ; 5,436,529

STYLE:



WIRING DIAGRAM:



WARRANTY:

Robertson Worldwide warrants to the purchaser that this ballast will be free from defects in material or workmanship for a period of 5 years from date of manufacture when properly installed and under normal conditions of use. For more information on Robertson Worldwide's ballasts, call 1-800-323-5633 or visit www.robertsonww.com. Specifications subject to change without notice

Revised 3/26/2012

ROBERTSON WORLDWIDE

13611 Thornton Rd, Blue Island, IL 60406, TEL: 1-800-323-5633, FAX: 1-877-388-2420, www.robertsonww.com