

**PSM218CQMVRK**

Ballast Type: Electronic  
Input Voltage: 120 thru 277VAC ±10%  
Input Frequency: 50/60 Hz.

Starting Method: Programmed  
Lamp Connection: Series  
Unit Color: White

Unit Weight: 0.92 lb.  
Carton Quantity: Individual/20/Master  
Skid Quantity: 1120

**ELECTRICAL SPECIFICATION:**

Line Voltage (V)	Lamp Type	Lamp Watts	No. of Lamps	Line Current (A)	Input Power (W)	Power Factor	Max Current THD (%)	Current Crest Factor	Ballast Factor	Wiring Diagram	B.E.F.
120	CFT13W/2GX7	13	1	0.11	14	≥0.97	≤15	≤1.6	0.94	152	6.71
277				0.05							
120	CFT13W/2GX7	13	2	0.21	25	≥0.98	≤10	≤1.6	0.90	153	3.60
277				0.09							
120	CFQ18W/G24q	18	1	0.20	23	≥0.98	≤10	≤1.6	1.00	152	4.34
277	CFTR18W/GX24q			0.09							
120	CFQ18W/G24q	18	2	0.35	42	≥0.98	≤10	≤1.5	0.98	153	2.33
277	CFTR18W/GX24q			0.15							
120	CFS21W/GR10q	21	1	0.20	25	≥0.98	≤10	≤1.6	1.00	152	4.00
277				0.09							
120	CFS21W/GR10q	21	2	0.40	42	≥0.98	≤10	≤1.5	0.98	153	2.33
277				0.16							

**PERFORMANCE:**

- High efficiency electronic ballast
- Programmed start
- Series operation
- High power factor
- Encased & potted
- Sound rated A
- All-star protection: Protects against *open-filaments, high lamp voltage, lamp rectification, low line voltage, damaged or shattered glass, & high temperature conditions*
- Internal surge protection
- Meets FCC Part 18 (Class A) for EMI and RFI non-consumer limits
- Meets ANSI standard C82.11
- Meets ANSI standard C62.41

**APPLICATION:**

- Maximum case temperature: 194°F/90°C
- Maximum ambient temperature: 140°F/60°C
- Minimum starting temperature: -22°F/-30°C†
- Not recommended for extreme temperature variations
- Lamp starts: >50,000 starts
- Remote mounting: 18 ft.
- Compatible with leading manufacturers of Emergency Battery Packs

† Please consult lamp manufacturer's data regarding Lumen Output vs. Ambient Temperature

**SAFETY:**

- UL/935 (Class P, Type HL, Type CC, Type 1 outdoor) listed
- CSA/C22.2 certified
- No PCB's
- RoHS Compliant

**NOTE:**

- Use 18AWG solid copper wire (stripped to 3/8")

**U.S. PATENT NUMBERS:**

6,366,032 B1 ; 6,420,838 B1 ; 5,436,529

**WARRANTY:**

Robertson Worldwide warrants to the purchaser that this ballast will be free from defects in material or workmanship for a period of 5 years from date of manufacture when properly installed and under normal conditions of use. For more information on Robertson Worldwide's ballasts, call 1-800-323-5633 or visit [www.robertsonww.com](http://www.robertsonww.com). Specifications subject to change without notice

**ROBERTSON WORLDWIDE**

13611 Thornton Rd, Blue Island, IL 60406, TEL: 1-800-323-5633, FAX: 1-877-388-2420, [www.robertsonww.com](http://www.robertsonww.com)

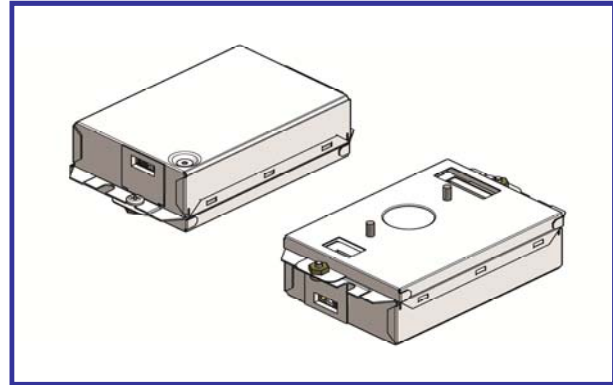
Robertson is pleased to introduce the Robertson Replacer. A convenient, versatile replacement kit designed to support the needs of end-users, distributors, and retro-fitters.

The Robertson Replacer contains the World Series ballast with Patented All Star EOL Protection, guarding against potential hazardous conditions. This useful kit includes everything necessary to replace a variety of mounting options found in many of the compact fluorescent fixtures today.

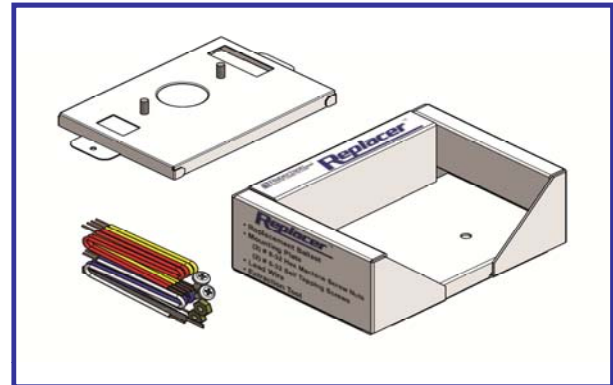
**Kit Includes:**

- World Series Dual Entry Ballast
- Mounting Plate Adapter
- (2) Self Tapping Screws
- (2) 8-32 Machine Nuts
- Lead Wire Set
- Wire Extraction Tool
- Detailed Instructions

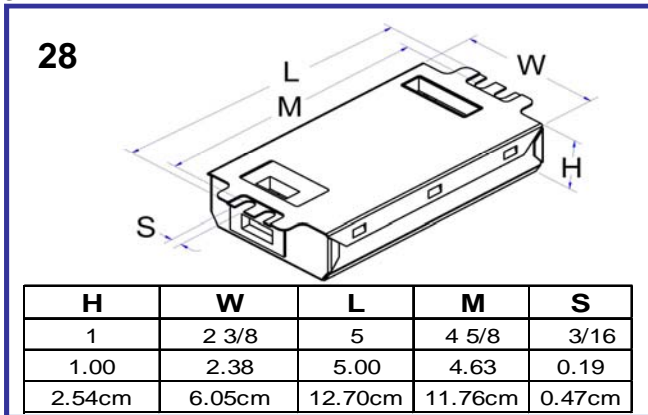
**Versatile Mounting Plate Adapter**



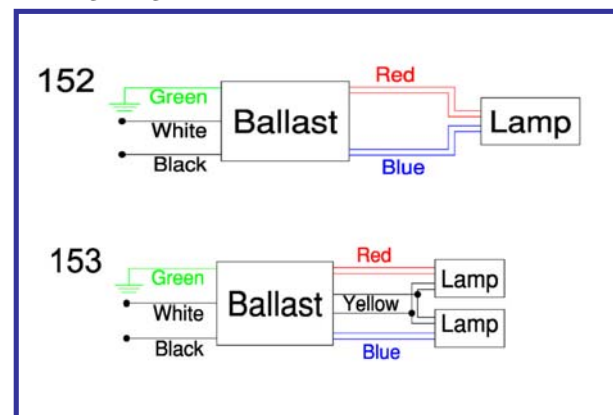
**Replacer Kit**



**STYLE:**



**WIRING DIAGRAM:**



**ROBERTSON REPLACER PSM218CQMVK CROSS REFERENCE**

Multi-E Kit Universal	Advance	Osram	ESI	ACE	Keystone
C218UNVSE/BE/BES	ICF-2S18-H1-LD ICF-2S18-M1-BS ICF-2S18-M1-LS REL-2Q18 VEL-2Q18 R-2Q18-4P-TP V-2Q18-4P-TP	QTP 1/2x18CF/UNV QTP 1/2x18CF/UNV BS QTP 1/2x18CF/UNV TS	ES-2/1-CFQ-18-UNV-C/D ES-1-2D-21-UNV-D	CSD-UV18PS	KTEB-218-UV-TP-PIC-DW KTEB-218-UV-TP-PSD