

PSM218CQMVDW • PSM218CQMVDSW

Ballast Type:	Electronic
Input Voltage:	120 thru 277VAC ±10%
Input Frequency:	50/60 Hz.

Starting Method:	Programmed
Lamp Connection:	Series
Unit Weight	0.8 lb

ELECTRICAL SPECIFICATION:

Line Voltage (V)	Lamp Type	Lamp Watts	No. of Lamps	Line Current (A)	Input Power (W)	Power Factor	Max Current THD (%)	Current Crest Factor	Ballast Factor	Wiring Diagram
120	CFQ18W/G24q	18	1	0.20	23	>0.98	≤10	≤1.6	1.00	152
277	CFTR18W/GX24q			0.09						
120	CFQ18W/G24q	18	2	0.35	42	>0.98	≤10	≤1.5	0.98	153
277	CFTR18W/GX24q			0.15						
120	CFS21W/GR10q	18	1	0.20	25	>0.98	≤10	≤1.6	1.00	152
277	CFS21W/GR10q			0.09						
120	CFS21W/GR10q	21	2	0.40	42	>0.98	≤10	≤1.5	0.98	153
277	CFS21W/GR10q			0.16						

NOTE: *Lamps are connected in series

PERFORMANCE:

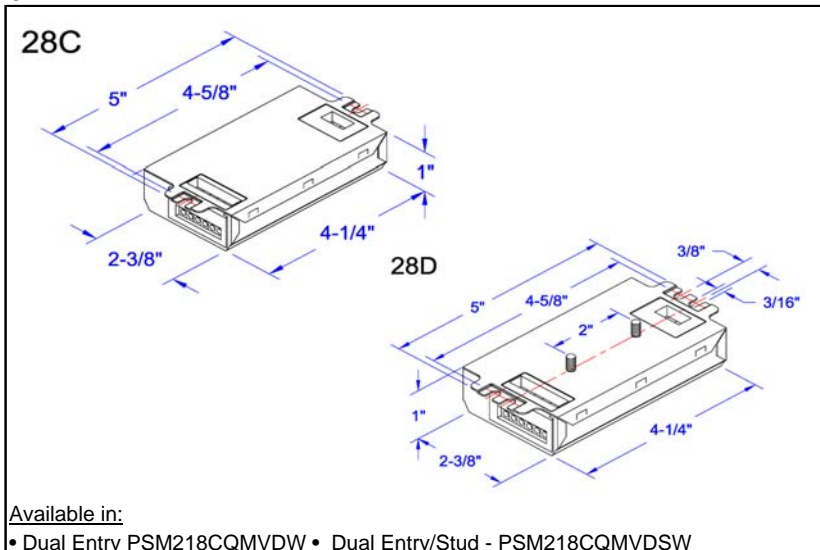
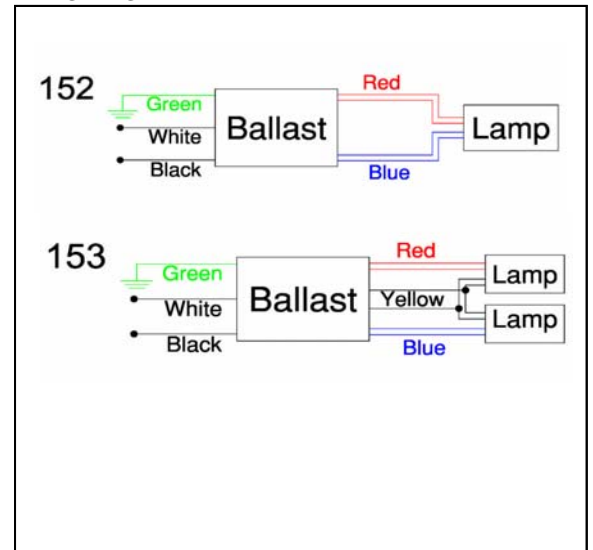
- High efficiency programmed start ballast
- High power factor
- Series operation
- All-star protection: Protects against *open-filaments, high lamp voltage, lamp rectification, low line voltage, damaged or shattered, and high temperature conditions*
- Meets FCC Part 18 (Class A) for EMI and RFI non-consumer limits
- Meets ANSI standard C82.11-1993
- Meets ANSI standard C62.41-1991

APPLICATION:

- Maximum case temperature: 194°F/90°C
- Maximum ambient temperature: 140°F/60°C
- Minimum starting temperature: -4°F/-20°C
- Lamp starts: >50,000 starts
- Remote mounting: 18 ft.
- Dual entry connector

SAFETY:

- UL/935 (Class P, Type HL, Type 1 outdoor) listed
- CSA/C22.2 certified
- No PCB's

STYLE:

WIRING DIAGRAM:

WARRANTY:

Robertson Worldwide warrants to the purchaser that this ballast will be free from defects in material or workmanship for a period of 5 years from date of manufacture when properly installed and under normal conditions of use. For more information on Robertson Worldwide's ballasts, call 1-800-323-5633 or visit www.robertsonww.com. For our energy star compliant ballasts, visit www.nema.org/lampballastmatrix/

Revised 04/14/04

ROBERTSON WORLDWIDE

 13611 Thornton Rd, Blue Island, IL 60406, TEL: 1-800-323-5633, FAX: 1-877-388-2420, www.robertsonww.com