

**PSM213CQMVW • PSM213CQMVDW • PSM213CQMVDW**

Ballast Type:	Electronic	Starting Method:	Programmed	Unit Weight:	0.8 lb.
Input Voltage:	120 thru 277VAC ±10%	Lamp Connection:	Series	Carton Quantity:	50
Input Frequency:	50/60 Hz.	Unit Color:	White	Skid Quantity:	1750/1800/1800

**ELECTRICAL SPECIFICATION:**

Line Voltage (V)	Lamp Type	Lamp Watts	No. of Lamps	Line Current (A)	Input Power (W)	Power Factor	Max Current THD (%)	Current Crest Factor	Ballast Factor	Wiring Diagram	B.E.F.
120	CFQ13W/G24q	13	1	0.14	18	≥0.96	≤12	≤1.5	1.02	152	5.67
277	CFTR13W/GX24q			0.07							
120	CFQ13W/G24q	13	2	0.27	32	≥0.98	≤10	≤1.4	1.01	153	3.16
277	CFTR13W/GX24q			0.12							
120	CFS16W/GR10q	16	1	0.16	20	≥0.98	≤10	≤1.4	1.00	152	5.00
277				0.07							
120	CFQ10W/G24q	10	1	0.09	12	≥0.98	≤12	≤1.7	1.02	152	8.50
277				0.05							
120	CFQ10W/G24q	10	2	0.17	21	≥0.98	≤10	≤1.6	1.02	153	4.86
277				0.08							
120	CFS10W/GR10q	10	1	0.12	14	≥0.96	≤12	≤1.6	1.03	152	7.36
277				0.06							
120	CFS10W/GR10q	10	2	0.22	26	≥0.98	≤10	≤1.5	1.02	153	3.92
277				0.11							
120	CFT5W/2G7	5	1	0.06	7	≥0.98	≤10	≤1.6	1.10	152	15.71
277				0.03		≥0.90					
120	CFT5W/2G7	5	2	0.10	12	≥0.98	≤15	≤1.6	1.05	153	8.75
277				0.05							
120	CFT7W/2G7	7	1	0.07	9	≥0.98	≤15	≤1.5	1.07	152	11.89
277				0.04		≥0.92					
120	CFT7W/2G7	7	2	0.14	16	≥0.98	≤12	≤1.5	1.03	153	6.44
277				0.06							
120	CFT9W/2G7	9	1	0.09	11	≥0.98	≤15	≤1.5	1.05	152	9.55
277				0.04		≥0.94					
120	CFT9W/2G7	9	2	0.16	20	≥0.98	≤10	≤1.5	1.02	153	5.10
277				0.07							

**PERFORMANCE:**

- High efficiency electronic ballast
- Programmed start
- Series operation
- High power factor
- Encased & potted
- Sound rated A
- All-star EOL protection:
- Internal surge protection
- Meets FCC Part 18 (Class A) for EMI and RFI non-consumer limits
- Meets ANSI standard C82.11 and C62.41

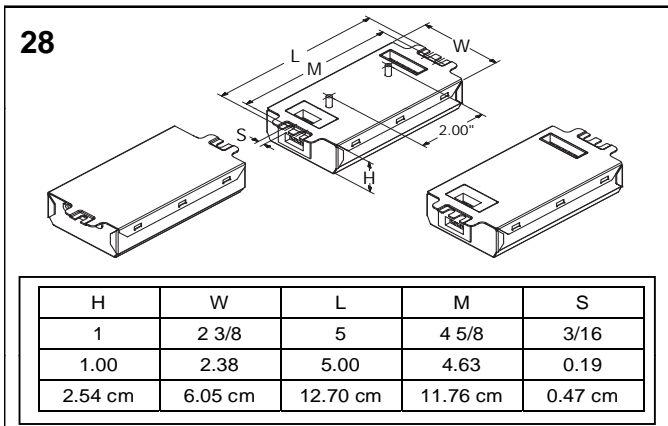
**APPLICATION:**

- Maximum case temperature: 194°F/90°C
  - Maximum ambient temperature: 140°F/60°C
  - Minimum starting temperature: -22°F/-30°C†
  - Not recommended for extreme temperature variations
  - Lamp starts: >50,000 starts
  - Remote mounting: 18 ft.
  - Compatible with leading manufacturers of Emergency Battery Packs
- †Please consult lamp manufacturer's data regarding Lumen Output vs. Ambient Temperature.

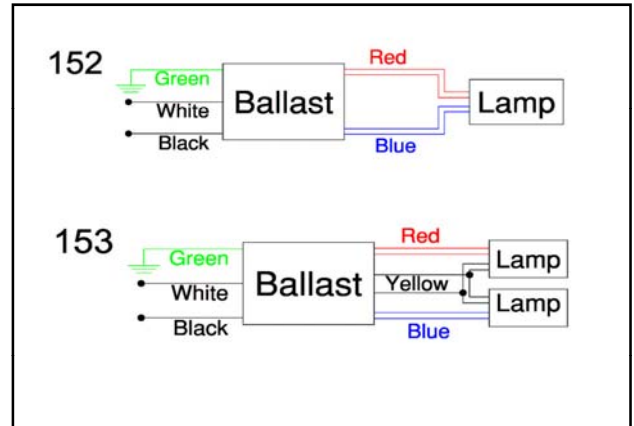
**SAFETY:**

- UL/935 (Class P, Type HL, Type CC, Type 1 outdoor) listed
  - CSA/C22.2 certified
  - No PCB's
  - RoHS Compliant
- ORDERING INFORMATION:**
- Side Leads - W (Standard lead lengths 12")
  - Dual Entry - DW
  - Dual Entry with Studs - DSW
  - Use 18AWG solid copper wire (stripped to 3/8")
- U.S. PATENT NUMBERS:**  
6,366,032 B1 ; 6,420,838 B1 ; 5,436,529

**STYLE:**



**WIRING DIAGRAM:**



**WARRANTY:**

Robertson Worldwide warrants to the purchaser that this ballast will be free from defects in material or workmanship for a period of 5 years from date of manufacture when properly installed and under normal conditions of use. For more information on Robertson Worldwide's ballasts, call 1-800-323-5633 or visit [www.robertsonww.com](http://www.robertsonww.com). Specifications subject to change without notice

Revised 3/26/2012

**ROBERTSON WORLDWIDE**

13611 Thornton Rd, Blue Island, IL 60406, TEL: 1-800-323-5633, FAX: 1-877-388-2420, [www.robertsonww.com](http://www.robertsonww.com)