

PSL432T8HEMV

Ballast Type: Electronic
 Input Voltage: 120-277VAC ±10%
 Input Frequency: 50/60 Hz.

Starting Method: Program Start
 Lamp Connection: Parallel
 Unit Color: Black

Unit Weight: 1.5 lb.
 Carton Quantity: 30
 Skid Quantity: 900

ELECTRICAL SPECIFICATION:

Line Voltage (V)	Lamp Type	Lamp Watts	No. of Lamps	Line Current (A)	Input Power (W)	Power Factor	Max Current THD (%)	Current Crest Factor	Ballast Factor	Wiring Diagram	B.E.F.
120	F32T8* F32T8U*	32	4	0.95	114	≥0.99	≤10	≤1.7	0.90	091	0.79*
277				0.42		≥0.99			0.91		0.80*
120	F32T8/ES/30	30	4	0.87	104	≥0.99	≤10	≤1.7	0.87	091	0.84
277				0.38		≥0.99			0.88		
120	F32T8/ES/28	28	4	0.81	96	≥0.99	≤10	≤1.7	0.85	091	0.89
277				0.35		≥0.98			0.86		0.90
120	F32T8/ES/25	25	4	0.74	89	≥0.99	≤10	≤1.7	0.82	091	0.92
277				0.33		≥0.98			0.85		0.94
120	F28T8	28	4	0.81	96	≥0.99	≤10	≤1.7	0.85	091	0.89
277				0.35		≥0.98			0.86		0.90
120	F25T8 F25T8U	25	4	0.75	90	≥0.99	≤10	≤1.7	0.95	091	1.06
277				0.33		≥0.98			0.96		1.07
120	F17T8 F17T8U	17	4	0.51	61	≥0.99	≤10	≤1.7	0.95	091	1.56
277				0.23		≥0.97			0.96		1.57
120	F40T8	40	3	0.93	112	≥0.99	≤10	≤1.7	0.96	091	0.86
277				0.41		≥0.99			0.97		0.87
120	F32T8* F32T8U*	32	3	0.79	95	≥0.99	≤10	≤1.7	0.98	091	1.03*
277				0.35		≥0.99			0.99		1.04*
120	F32T8/ES/30	30	3	0.73	87	≥0.99	≤10	≤1.7	0.95	091	1.10
277				0.32		≥0.98			0.96		1.11
120	F32T8/ES/28	28	3	0.68	81	≥0.99	≤10	≤1.6	0.92	091	1.14
277				0.30		≥0.98			0.93		1.15
120	F32T8/ES/25	25	3	0.63	75	≥0.99	≤10	≤1.6	0.92	091	1.23
277				0.28		≥0.98			0.94		1.24
120	F28T8	28	3	0.68	81	≥0.99	≤10	≤1.6	0.92	091	1.14
277				0.30		≥0.98			0.93		1.15
120	F25T8 F25T8U	25	3	0.62	75	≥0.99	≤10	≤1.6	1.04	091	1.39
277				0.28		≥0.98			1.05		1.40
120	F17T8 F17T8U	17	3	0.43	51	≥0.99	≤10	≤1.6	1.03	091	2.02
277				0.20		≥0.96			1.04		2.00

*Meets NEMA Premium/CEE Standards for Energy Efficiency

PERFORMANCE:

- High efficiency electronic ballast
- Program Start
- Parallel operation
- High power factor
- Encased & potted
- Sound rated A
- Internal surge protection
- Meets ANSI standard C82.11 and ANSI standard C62.41
- Meets FCC Part 18 (Class A) EMI and RFI non-consumer limits

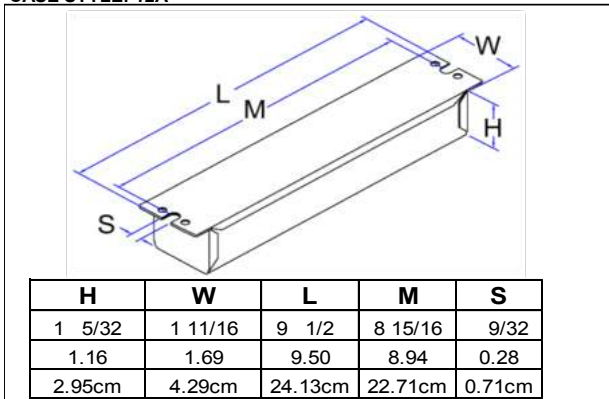
APPLICATION:

- Maximum case temperature: 167°F/75°C
- Maximum ambient temperature: 104°F/40°C
- Minimum starting temperature Std. lamps: 0°F/-18°C
- Minimum starting temperature ES lamps: 60°F/16°C
- Lamp starts: >50,000 starts
- Remote mounting: 18 ft.

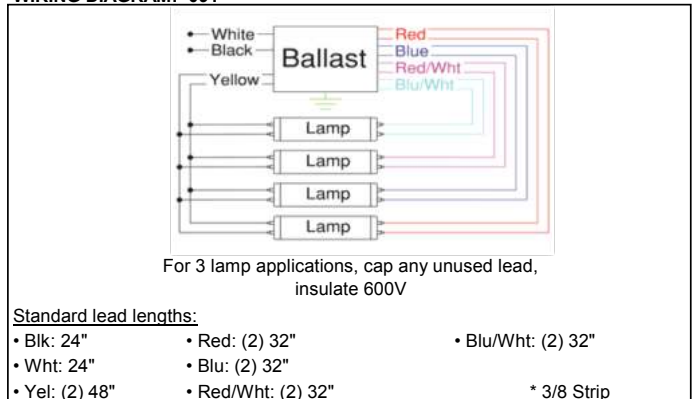
SAFETY:

- UL/935 (Class P, Type HL, Type 1 outdoor) listed
- CSA certified (cUL)
- Inherent Thermal Protection
- RoHS Compliant
- No PCB's

CASE STYLE: 12A



WIRING DIAGRAM: 091



WARRANTY:

Robertson Worldwide warrants to the purchaser that this ballast will be free from defects in material or workmanship for a period of 5 years from date of manufacture when properly installed and under normal conditions of use. For more information on Robertson Worldwide ballasts, call 1-800-323-5633 or visit www.robertsonnw.com. Specifications subject to change without notice.

Revised 10/13/11

ROBERTSON WORLDWIDE

13611 Thornton Rd, Blue Island, IL 60406, TEL: 1-800-323-5633, FAX: 1-877-388-2420, www.robertsonnw.com