

PSA239T5MV

Ballast Type: Electronic
Input Voltage: 120 thru 277VAC ±10%
Input Frequency: 50/60 Hz.

Starting Method: Programmed
Lamp Connection: Series
Unit Color: Galvanized

Unit Weight: 1.05 lb.
Carton Quantity: 40
Skid Quantity: 1200

ELECTRICAL SPECIFICATION:

Line Voltage (V)	Lamp Type	Lamp Watts	No. of Lamps	Line Current (A)	Input Power (W)	Power Factor	Max THD (%)	Current Crest Factor	Ballast Factor	Wiring Diagram	B.E.F.
120	F39T5HO	39	2	0.66	79	≥0.99	≤10	≤1.4	1.00	015C	1.27
277				0.29							
120	F24T5HO	24	2	0.44	53	≥0.99	≤10	≤1.4	1.12	015C	2.11
277				0.19							
120	FT36W/2G11	36	2	0.58	71	≥0.99	≤10	≤1.4	0.95	015C	1.34
277				0.26							
120	FT24W/2G11	24	2	0.44	53	≥0.99	≤10	≤1.4	1.05	015C	1.98
277				0.20							1.94
120	FC12T5	40	2	0.66	79	≥0.99	≤10	≤1.4	0.96	015C	1.22
277				0.29							
120	FC9T5	22	2	0.43	51	≥0.98	≤10	≤1.5	1.02	015C	2.00
277				0.19							1.96
120	FC9T5 & FC12T5	22 & 40	2	0.55	68	≥0.99	≤10	≤1.4	1.00	015C	1.47
277				0.24							1.49
120	F39T5HO	39	1	0.35	42	≥0.99	≤10	≤1.4	1.05	003	2.50
277				0.16							2.44
120	F24T5HO	24	1	0.24	29	≥0.99	≤10	≤1.4	1.15	003	3.97
277				0.11							
120	FT40W/2G11/RS	40	1	0.39	46	≥0.99	≤10	≤1.4	1.18	003	2.57
277				0.18							2.51
120	FT36W/2G11	36	1	0.31	37	≥0.99	≤10	≤1.4	0.98	003	2.65
277				0.14							2.58
120	FT24W/2G11	24	1	0.24	29	≥0.99	≤10	≤1.4	1.00	003	3.45
277				0.12							3.33
120	FC12T5	40	1	0.35	42	≥0.99	≤10	≤1.4	1.00	003	2.38
277				0.16							
120	FC9T5	22	1	0.24	29	≥0.98	≤10	≤1.5	1.15	003	3.97
277				0.11							3.83

PERFORMANCE:

- High efficiency electronic ballast
- Program start
- Series operation
- High power factor
- Encased & potted
- Sound rated A
- End of Lamp Life protection
- Internal surge protection
- Meets FCC Part 18 (Class A) for EMI and RFI non-consumer limits
- Meets ANSI standard C82.11
- Meets ANSI standard C62.41

APPLICATION:

- Maximum case temperature: 194°F/90°C
- Maximum ambient temperature: 104°F/40°C
- Minimum starting temperature: 0°F/-18°C
- Not recommended for extreme temperature variations
- Lamp starts: >50,000 starts
- Remote mounting: 18 ft.

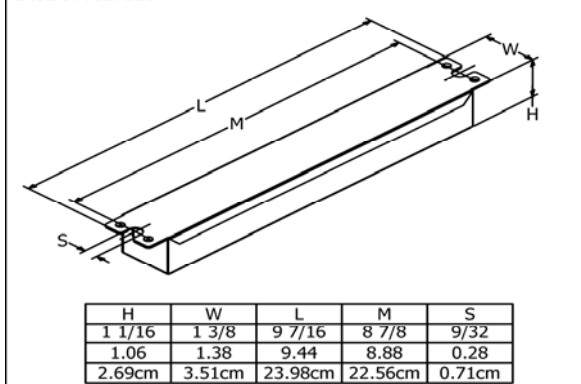
SAFETY:

- UL/935 (Class P, Type HL, Type CC, Type 1 outdoor) listed
- CSA certified (cUL)
- RoHS Compliant
- No PCB's

U.S. Patent Numbers:

6,366,032 B1 ; 6,420,838 B1 ; 5,436,529

CASE STYLE: 12D



WARRANTY:

Robertson Worldwide warrants to the purchaser that this ballast will be free from defects in material or workmanship for a period of five years for operation at a maximum case temperature of 75°C or three years for operation at a maximum case temperature of 90°C from date of manufacture when properly installed and under normal conditions of use. For more information on Robertson Worldwide products, refer to our complete warranty statement at www.robertsonww.com. Specifications subject to change without notice. 3/23/2012.

WIRING DIAGRAM:

