

## PAT154T5MV

Ballast Type: Electronic  
 Input Voltage: 120 thru 277VAC ±10%  
 Input Frequency: 50/60 Hz.

Starting Method: Programmed  
 Lamp Connection: Series  
 Unit Color: Aluminum

Unit Weight: 0.8 lb.  
 Carton Quantity: 20  
 Skid Quantity: 1960

### ELECTRICAL SPECIFICATION:

Line Voltage (V)	Lamp Type	Lamp Watts	No. of Lamps	Line Current (A)	Input Power (W)	Power Factor	Max Current THD (%)	Current Crest Factor	Ballast Factor	Wiring Diagram	B.E.F.
120	F54T5HO	54	1	0.51	61	≥0.98	≤10	≤1.5	1.00	004	1.64
277				0.22							
120	FT55W/2G11/RS	55	1	0.45	54	≥0.98	≤10	≤1.6	0.85	004	1.57
277				0.20							
120	FT50W/2G11/RS	50	1	0.49	58	≥0.98	≤10	≤1.6	1.12	004	1.93
277				0.21							

### PERFORMANCE:

- High efficiency electronic ballast
- Programmed start
- Series operation
- High power factor
- Encased & potted
- Sound rated A
- All-star protection: Protects against *open-filaments, high lamp voltage, lamp rectification, low line voltage, damaged or shattered glass, & high temperature conditions*
- Meets FCC Part 18 (Class A) for EMI and RFI non-consumer limits
- Meets ANSI standard C82.11
- Meets ANSI standard C62.41

### APPLICATION:

- Maximum case temperature: 194°F/90°C
- Maximum ambient temperature: 140°F/60°C
- Minimum starting temperature: -22°F/-30°C†
- Lamp starts: >50,000 starts
- Remote mounting: 18 ft.
- Compatible with leading manufacturers of Emergency Battery Packs

† Please consult lamp manufacturer's data regarding Lumen Output vs. Ambient Temperature

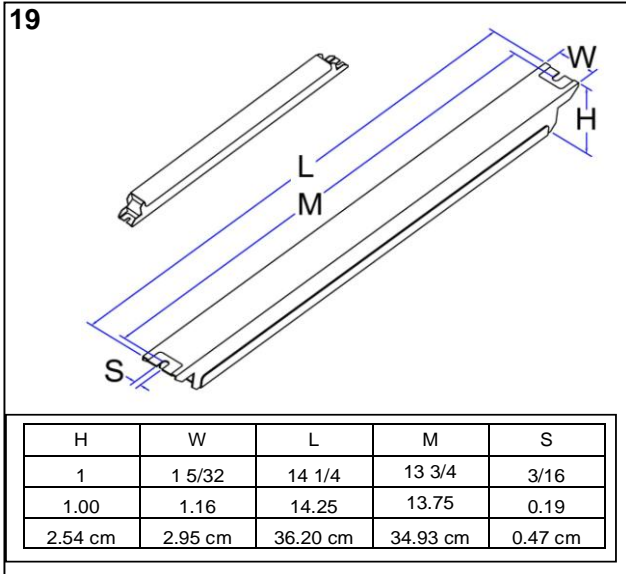
### SAFETY:

- UL/935 (Class P, Type HL, Type 1 outdoor) listed
- CSA/C22.2 certified
- No PCB's

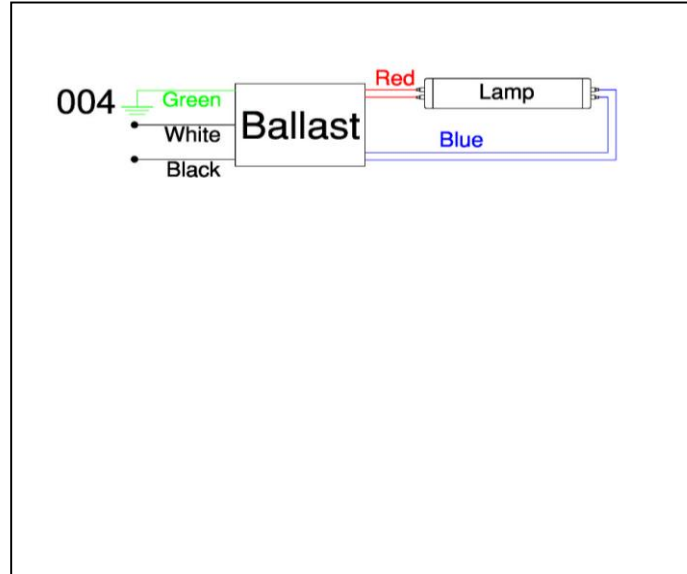
### U.S. PATENT NUMBERS:

6,366,032 B1 and 6,420,838 B1

### STYLE:



### WIRING DIAGRAM:



### WARRANTY:

Robertson Worldwide warrants to the purchaser that this ballast will be free from defects in material or workmanship for a period of 5 years from date of manufacture when properly installed and under normal conditions of use. For more information on Robertson Worldwide ballasts, call 1-800-323-5633 or visit [www.robertsonww.com](http://www.robertsonww.com). For our energy star compliant ballasts, visit [www.nema.org/lampballastmatrix/](http://www.nema.org/lampballastmatrix/) Specifications subject to change without notice.

Revised 12/29/06

### ROBERTSON WORLDWIDE

13611 Thornton Rd, Blue Island, IL 60406, TEL: 1-800-323-5633, FAX: 1-877-388-2420, [www.robertsonww.com](http://www.robertsonww.com)