

## O79P

Ballast Type: Electromagnetic  
 Input Voltage: 120VAC+5%,-10%  
 Input Frequency: 60 Hz.

Starting Method: Preheat  
 Lamp Connection: N/A  
 Unit Color: Raw

Unit Weight: 0.35 lb.  
 Carton Quantity: 72  
 Skid Quantity: 5760

**ELECTRICAL SPECIFICATION:**

Line Voltage (V)	Lamp Type	Lamp Watts	No. of Lamps	Line Current (A)	Input Power (W)	Power Factor	Max Current THD (%)	Current Crest Factor	Ballast Factor	Wiring Diagram	B.E.F.
120	CFT5W/G23	5	1	0.18	10	≥0.46	≤15	≤1.7	1.00	101	10.00
120	CFT7W/G23	7	1	0.17	10	≥0.47	≤15	≤1.7	0.95	101	9.50
120	CFT9W/G23	9	1	0.15	10	≥0.55	≤15	≤1.7	0.80	101	8.00
120	CFQ9W/G23	9	1	0.15	10	≥0.55	≤15	≤1.7	0.80	101	8.00
120	F6T5	6	1	0.18	10	≥0.49	≤15	≤1.7	1.10	001	11.00
120	F8T5	8	1	0.16	10	≥0.54	≤15	≤1.7	1.10	001	11.00

**PERFORMANCE:**

- Electromagnetic reactor type ballast
- Preheat start
- Normal power factor
- Open core and coil
- Sound rated A
- Meets ANSI C82.1

**APPLICATION:**

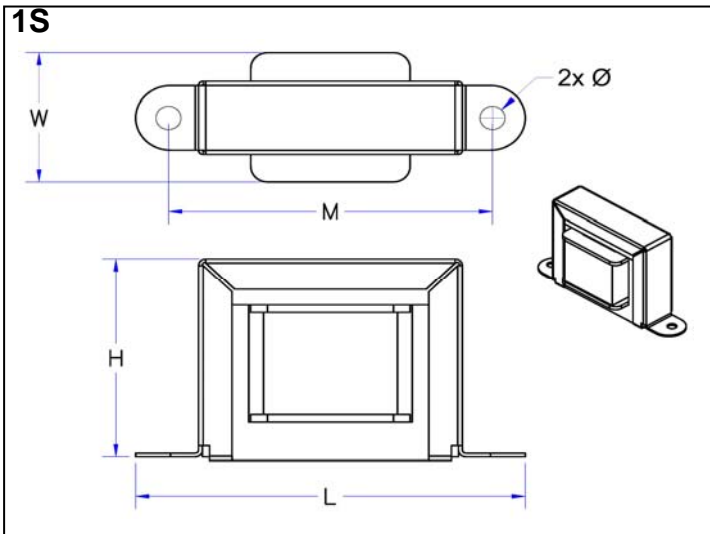
- Maximum case temperature: 194°F/90°C
- Maximum ambient temperature: 104°F/40°C
- Minimum starting temperature CFL: 0°F/-18°C
- Minimum starting temperature Linear: 50°F/10°C
- Remote mounting: 10ft.

**SAFETY:**

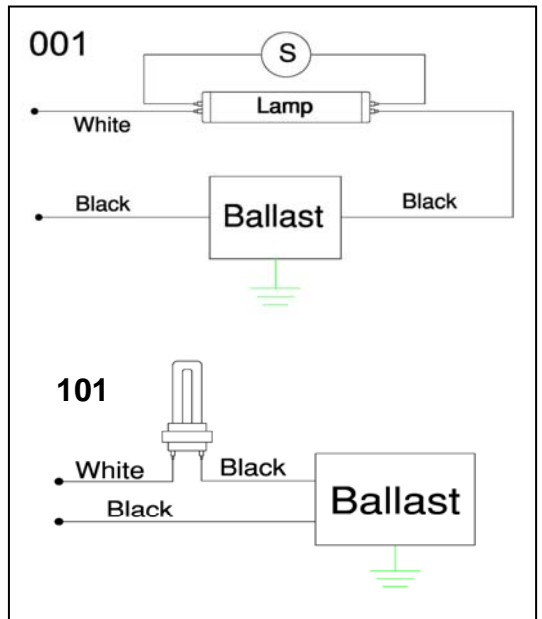
- UL/935 (Class P, Type 1 outdoor) listed
- CSA certified (cUL)
- Automatic reset thermal protector
- No PCB's

**STYLE:**

**1S**



H	W	L	M	Ø
1 3/8	1 3/32	2 3/8	2	3/16
1.38	1.09	2.38	2.00	0.19
3.49cm	2.77cm	6.03cm	5.08cm	0.47cm

**WIRING DIAGRAM:**


**001**

White → Lamp → Black → Ballast → Black → Ground

**101**

White → CFL Lamp → Black → Ballast → Black → Ground

**Standard lead length:**

- Black 8 x 8"
- \* 3/8" Strip

Robertson Worldwide warrants to the purchaser that this ballast will be free from defects in material or workmanship for a period of 2 years from date of manufacture when properly installed and under normal conditions of use. For more information on Robertson Worldwide's ballasts, call 1-800-323-5633 or visit [www.robertsonww.com](http://www.robertsonww.com). Specifications subject to change without notice.

Revised 1/6/06