

NESGPH287P

Ballast Type: Electromagnetic
 Input Voltage: 120VAC+5%,-10%
 Input Frequency: 60 Hz.

Starting Method: Electronic start
 Lamp Connection: Series
 Unit Weight: 0.90 lb.

ELECTRICAL SPECIFICATION:

Line Voltage (V)	Lamp Type	Approx. Lamp Length	Lamp Watts (W)	No. of Lamps	Line Current (A)	Input Power (W)	Power Factor	Max Current THD (%)	Current Crest Factor	Wiring Diagram	B.E.F.
120	GPH162T5	6	8	1	0.42	14	≥0.28	≤15	≤1.7	006	/
120	GPH178T5	7	9	1	0.42	14	≥0.28	≤15	≤1.7	006	/
120	GPH212T5	8	10	1	0.42	15	≥0.30	≤15	≤1.7	006	/
120	GPH229T5	9	12	1	0.42	15	≥0.30	≤15	≤1.7	006	/
120	GPH254T5	10	12	1	0.42	16	≥0.32	≤15	≤1.7	006	/
120	GPH262T5	10	13	1	0.42	16	≥0.32	≤15	≤1.7	006	/
120	GPH287T5	11	14	1	0.42	17	≥0.34	≤15	≤1.7	006	/
120	GPH305T5	12	15	1	0.42	18	≥0.36	≤15	≤1.7	006	/
120	GPH330T5	13	16	1	0.42	20	≥0.40	≤15	≤1.7	006	/
120	GPH356T5	14	17	1	0.42	21	≥0.42	≤15	≤1.7	006	/
120	GPH406T5	16	19	1	0.42	25	≥0.50	≤15	≤1.7	006	/
120	G20T5	16	20	1	0.42	25	≥0.52	≤15	≤1.7	006	/
120	GPH457T5	18	22	1	0.42	26	≥0.52	≤15	≤1.7	006	/
120	G20T10	23	19	1	0.37	23	≥0.52	≤15	≤1.7	006	/
120	GU2210T5	7 U	16	1	0.42	22	≥0.43	≤15	≤1.7	006	/
120	GU7610T5	7 U	16	1	0.42	22	≥0.43	≤15	≤1.7	006	/
120	TUV 18W PL-L	9	18	1	0.38	23	≥0.51	≤15	≤1.7	006	/

PERFORMANCE:

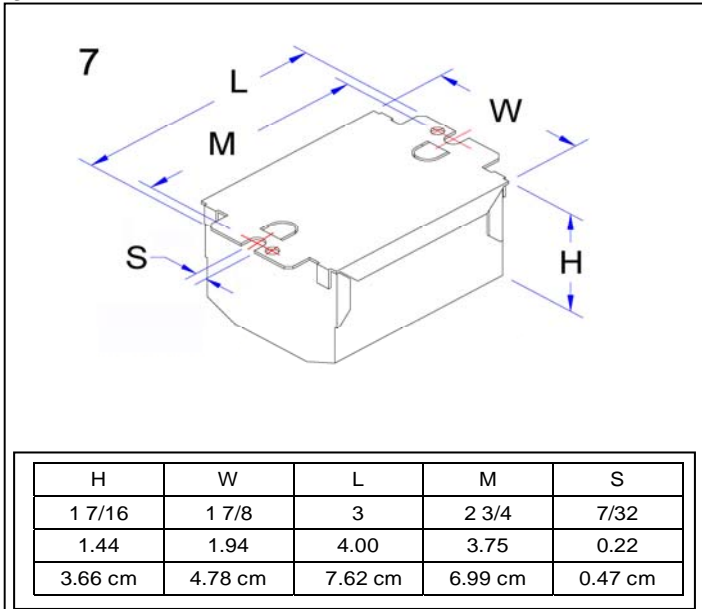
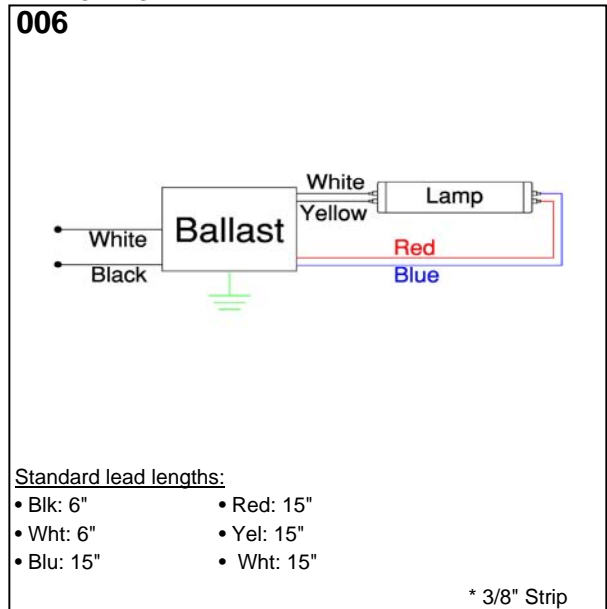
- Electromagnetic reactor type ballast
- Electronic program start
- Series operation
- Normal power factor
- Encased & potted
- Sound Rated A
- Meets ANSI standard C82.1
- End of lamp life protection

APPLICATION:

- Maximum case temperature: 194°F/90°C
- Maximum ambient temperature: 140°F/60°C
- Minimum starting temperature: 0°F/-18°C
- Lamp starts: >50,000 starts
- Remote mounting: 10ft.

SAFETY:

- UL/935 (Class P, Type HL, Type 1 outdoor) listed
- CSA/C22.2 certified
- Automatic reset thermal protector
- No PCB's

STYLE:

WIRING DIAGRAM:

WARRANTY

Robertson Worldwide warrants to the purchaser that this ballast will be free from defects in material or workmanship for a period of 2 years from date of manufacture when properly installed and under normal conditions of use. For more information on Robertson Worldwide's ballasts, call 1-800-323-5633 or visit www.robertsonww.com. Specifications subject to change without notice.

Revised 12/29/04

ROBERTSON WORLDWIDE

 13611 Thornton Rd, Blue Island, IL 60406, TEL: 1-800-323-5633, FAX: 1-877-388-2420, www.robertsonww.com