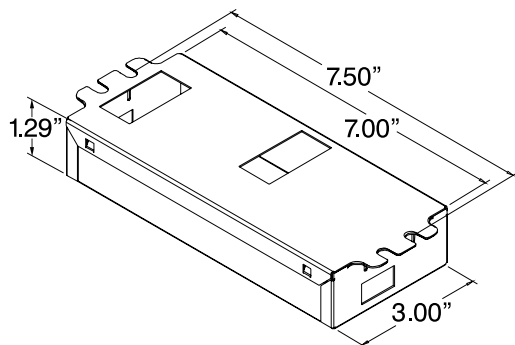
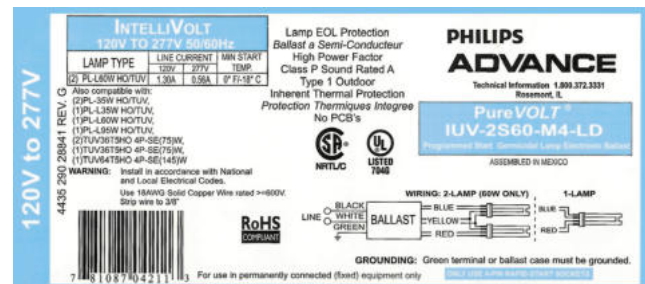


Specifications

Model Number: 10-0253
Input Voltage: 120 to 277v AC
Frequency: 50/60 Hz.
Lamp Type: See Chart on Next Page
Size: 7.75" x 3"x 1.29"
Weight: 16 oz.
Mounting: Slotted Mounting Tabs.



Dimensional Data



The information and recommendations contained in this publication are based upon data collected by the Atlantic Ultraviolet Corporation® and are believed to be correct. However, no guarantee or warranty of any kind, expressed or implied, is made with respect to the information contained herein. Specifications and information are subject to change without notice.

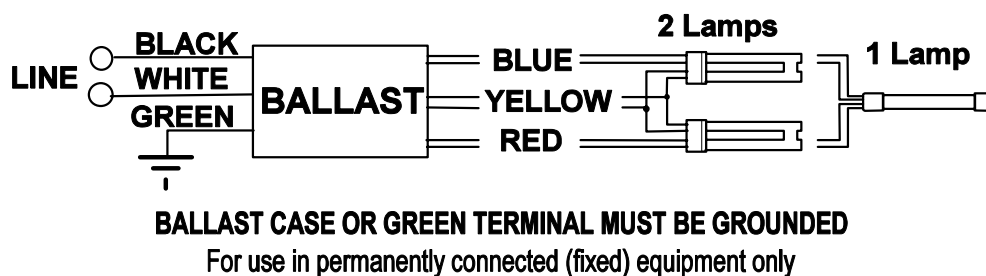
Lamp Types

Lamp Types	Qty.
GPH436T5/HO	1 or 2
G55T8	1 or 2
TUV55/HO	1 or 2
GHO36T5/HO	1 or 2
GPH843T5/HO	1 or 2
GHO64T5/4P	1
GPH1554T5/HO	1
PL-L35W/HO	1 or 2
PL-L60W/HO	1 or 2
PL-L95W/HO	1

This ballast may be acceptable for use with lamps not listed here. Contact us to discuss your requirement.

Connections

Figure 1 - Wiring Diagram



The information and recommendations contained in this publication are based upon data collected by the Atlantic Ultraviolet Corporation® and are believed to be correct. However, no guarantee or warranty of any kind, expressed or implied, is made with respect to the information contained herein. Specifications and information are subject to change without notice.