

### ISU232T8120

Ballast Type: Electronic  
Input Voltage: 120Vac ±10%  
Input Frequency: 60 Hz

Starting Method: Instant  
Lamp Connection: Parallel  
Unit Color: Black

Unit Weight: 0.80 lb  
Carton Quantity: 50  
Skid Quantity: 2000

#### ELECTRICAL SPECIFICATION:

Line Voltage (V)	Lamp Type	Lamp Watts	No. of Lamps	Line Current (A)	Input Power (W)	Power Factor	Max Current THD (%)	Current Crest Factor	Ballast Factor	Wiring Diagram	B.E.F.
120	F32T8 F32T8U	32	2	0.80	54	≥0.50	≤150	≤1.7	0.85	045A	1.59
			1	0.55	34				1.03		3.04
120	F28T8U	28	2	0.68	46	≥0.50	≤150	≤1.7	0.82	045A	1.78
			1	0.47	29				0.98		3.40
120	F25T8 F25T8U	25	2	0.65	43	≥0.50	≤150	≤1.7	0.84	045A	1.97
			1	0.46	27				1.01		3.79
120	F17T8 F17T8U	17	2	0.53	31	≥0.50	≤150	≤1.7	0.86	045A	2.77
			1	0.35	20				1.05		5.25
120	F40T8	40	1	0.62	40	≥0.50	≤150	≤1.7	0.99	045A	2.49

#### PERFORMANCE:

- Electronic ballast
- Instant Start
- Parallel operation
- Normal power factor
- Encased & potted
- Sound rated A
- Internal surge protection
- Meets FCC Part 18 (Class B) EMI and RFI consumer limits
- Meets ANSI standard C82.11 for ballast requirements
- Meets ANSI standard C62.41 for transient protection

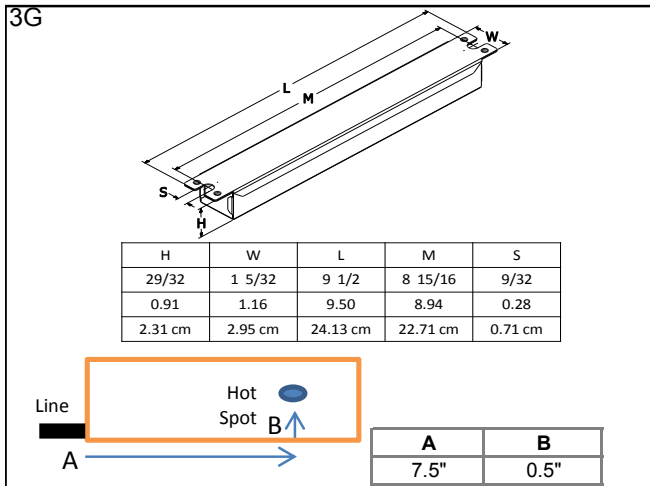
#### APPLICATION:

- Maximum case temperature: 167°F/75°C
- Maximum ambient temperature: 104°F/40°C
- Minimum starting temperature: 0°F/-18°C
- Lamp starts: >15,000 starts
- Remote mounting: 18 ft.

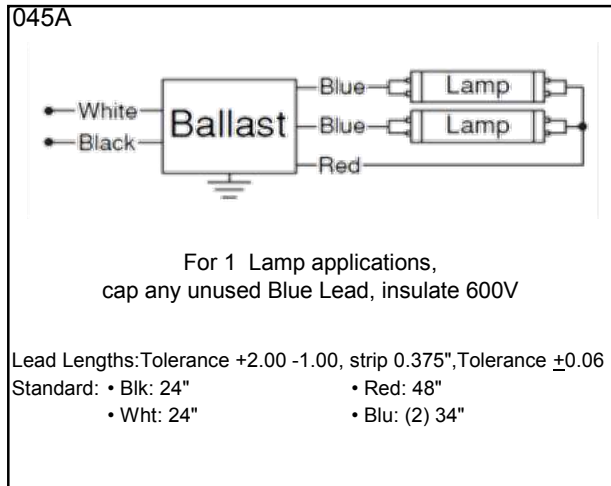
#### SAFETY:

- UL/935 (Class P, Type HL, Type 1 outdoor) listed
- cUL (CSA C22.2) listed
- Inherent Thermal Protection
- RoHS Compliant
- No PCB's

#### STYLE:



#### WIRING DIAGRAM:



#### WARRANTY:

Robertson Worldwide warrants to the purchaser that this ballast will be free from defects in material or workmanship for a period of 2 years from date of manufacture when properly installed and under normal conditions of use. For more information on Robertson Lighting products, visit [www.robertsondirect.com](http://www.robertsondirect.com). Specifications subject to change without notice.

Revised 2/12/2014

#### ROBERTSON WORLDWIDE

13611 Thornton Rd, Blue Island, IL 60406, FAX: 1-877-388-2420, [www.robertsondirect.com](http://www.robertsondirect.com)