

## ISL432T8120

Ballast Type: Electronic  
Input Voltage: 120VAC ±10%  
Input Frequency: 50/60 Hz.

Starting Method: Instant  
Lamp Connection: Parallel  
Unit Color: White

Unit Weight: 1.30 lb  
Carton Quantity: 40  
Skid Quantity: 1000

### ELECTRICAL SPECIFICATION:

Line Voltage (V)	Lamp Type	Lamp Watts	No. of Lamps	Line Current (A)	Input Power (W)	Power Factor	Max Current THD (%)	Current Crest Factor	Ballast Factor	Wiring Diagram	B.E.F.
120	F32T8 F32T8U	32	4	1.51	105	≥0.58	≤139	≤1.5	0.88	047	0.83
120	F28T8/40	28	4	1.21	84	≥0.57	≤127	≤1.6	0.77	047	0.92
120	F25T8 F25T8U	25	4	1.25	81	≥0.54	≤145	≤1.5	0.85	047	1.05
120	F21T8/30	21	4	0.96	66	≥0.57	≤129	≤1.6	0.78	047	1.18
120	F17T8 F17T8U	17	4	0.98	60	≥0.52	≤146	≤1.6	0.90	047	1.50
120	F15T8	15	4	0.70	47	≥0.56	≤136	≤1.6	0.63	047	1.34
120	F14T8/20	14	4	0.72	49	≥0.57	≤133	≤1.6	0.82	047	1.67
120	F14T8	14	4	0.60	38	≥0.54	≤152	≤1.5	0.58	047	1.53
120	F40T8	40	3	1.40	95	≥0.57	≤122	≤1.5	0.8	047	0.84
120	F32T8 F32T8U	32	3	1.30	87	≥0.56	≤141	≤1.5	0.92	047	1.06
120	F28T8/40	28	3	1.04	70	≥0.55	≤134	≤1.6	0.89	047	1.27
120	F25T8 F25T8U	25	3	1.07	66	≥0.52	≤148	≤1.5	0.92	047	1.39
120	F21T8/30	21	3	0.83	55	≥0.55	≤134	≤1.6	0.89	047	1.62
120	F17T8 F17T8U	17	3	0.82	49	≥0.51	≤149	≤1.6	0.94	047	1.92
120	F15T8	15	3	0.61	40	≥0.55	≤140	≤1.6	0.71	047	1.78
120	F14T8/20	14	3	0.62	42	≥0.56	≤137	≤1.6	0.90	047	2.20
120	F14T8	14	3	0.52	32	≥0.53	≤153	≤1.5	0.60	047	1.88

### PERFORMANCE:

- Electronic ballast
- Instant Start
- Parallel operation
- Normal power factor
- Encased & potted
- Sound rated A
- Meets FCC Part 18 (Class B) EMI and RFI consumer limits
- Meets ANSI standard C82.11 (where applicable)
- Meets ANSI standard C62.41

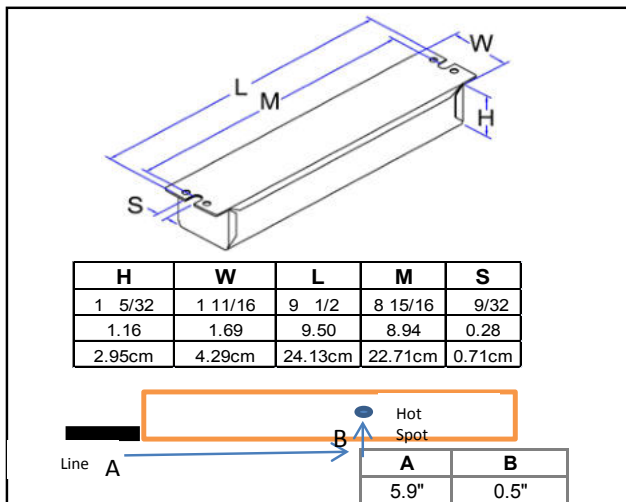
### APPLICATION:

- Maximum case temperature: 167°F/75°C
- Maximum ambient temperature: 104°F/40°C
- Minimum starting temperature: -4°F/-20°C
- Lamp starts: ≥15,000 starts
- Remote mounting: 18 ft.

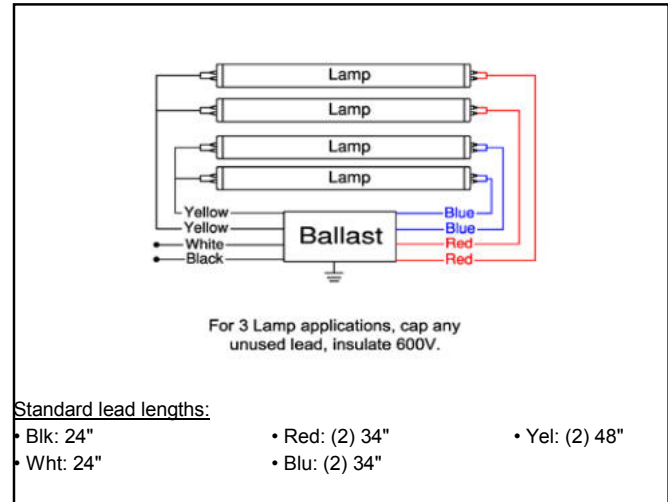
### SAFETY:

- UL/935 (Class P, Type HL, Type 1 outdoor) listed
- CSA (cUL) certified
- Inherent Thermal Protection
- RoHS Compliant
- No PCB's

### CASE STYLE: 12A



### WIRING DIAGRAM: 047



### WARRANTY:

Robertson Worldwide warrants to the purchaser that this ballast will be free from defects in material or workmanship for a period of 5 years from date of manufacture when properly installed and under normal conditions of use. For more information on Robertson Worldwide's ballasts, call 1-800-323-5633 or visit [www.robertsonww.com](http://www.robertsonww.com). For our energy star compliant ballasts, visit [www.nema.org/lampballastmatrix/](http://www.nema.org/lampballastmatrix/). Specifications subject to change without notice. Revised 12/17/2012

### ROBERTSON WORLDWIDE

13611 Thornton Rd, Blue Island, IL 60406, TEL: 1-800-323-5633, FAX: 1-877-388-2420, [www.robertsonww.com](http://www.robertsonww.com)