

Ballast Type: Electronic
 Input Voltage: 120-277VAC ±10%
 Input Frequency: 50/60 Hz.

Starting Method: Instant Start
 Lamp Connection: Parallel
 Unit Color: Black

Unit Weight: 1.1 lbs.
 Carton Quantity: 20
 Skid Quantity: 1200

ELECTRICAL SPECIFICATION:

Line Voltage (V)	Lamp Type	Lamp Watts	No. of Lamps	Line Current (A)	Input Power (W)	Power Factor	Max Current THD (%)	Current Crest Factor	Ballast Factor	Wiring Diagram	B.E.F.
120	F32T8*	32	4	0.93	110	≥0.98	≤10	≤1.7	0.88	047D	0.80*
277	F32T8U*			0.40	108	≥0.98	≤10	≤1.7	0.88	047D	0.81*
120	F32T8/ES/30	30	4	0.85	101	≥0.98	≤10	≤1.7	0.88	047D	0.87
277				0.37	100	≥0.98	≤10	≤1.7	0.88	047D	0.88
120	F32T8/ES/28*	28	4	0.79	94	≥0.98	≤10	≤1.7	0.88	047D	0.94*
277				0.35	94	≥0.98	≤10	≤1.7	0.88	047D	0.94*
120	F32T8/ES/25*	25	4	0.74	88	≥0.98	≤10	≤1.7	0.88	047D	1.00*
277				0.33	88	≥0.98	≤10	≤1.7	0.88	047D	1.00*
120	F28T8*	28	4	0.79	94	≥0.98	≤10	≤1.7	0.88	047D	0.94*
277	F28T8U*			0.35	94	≥0.98	≤10	≤1.7	0.88	047D	0.94*
120	F25T8	25	4	0.72	87	≥0.98	≤10	≤1.7	0.89	047D	1.02
277	F25T8U			0.32	85	≥0.98	≤10	≤1.7	0.89	047D	1.05
120	F17T8	17	4	0.49	59	≥0.98	≤10	≤1.7	0.93	047D	1.58
277	F17T8U			0.22	58	≥0.98	≤10	≤1.7	0.93	047D	1.60
120	F40T8	40	3	0.95	114	≥0.98	≤10	≤1.7	0.96	047D	0.84
277				0.41	109	≥0.98	≤10	≤1.7	0.96	047D	0.88
120	F32T8	32	3	0.77	92	≥0.98	≤10	≤1.7	0.96	047D	1.04
277				F32T8U	0.34	89	≥0.98	≤10	≤1.7	0.96	047D
120	F32T8/ES/30	30	3	0.71	84	≥0.98	≤10	≤1.7	0.96	047D	1.14
277				0.31	84	≥0.98	≤10	≤1.7	0.96	047D	1.14
120	F32T8/ES/28	28	3	0.65	77	≥0.98	≤10	≤1.7	0.96	047D	1.25
277				0.29	77	≥0.98	≤10	≤1.7	0.96	047D	1.25
120	F32T8/ES/25	25	3	0.62	74	≥0.98	≤10	≤1.7	0.96	047D	1.30
277				0.27	73	≥0.98	≤10	≤1.7	0.96	047D	1.32
120	F28T8	28	3	0.65	77	≥0.98	≤10	≤1.7	0.96	047D	1.25
277	F28T8U			0.29	77	≥0.98	≤10	≤1.7	0.96	047D	1.25

*Meets NEMA Premium/CEE Standards for Energy Efficiency

PERFORMANCE:

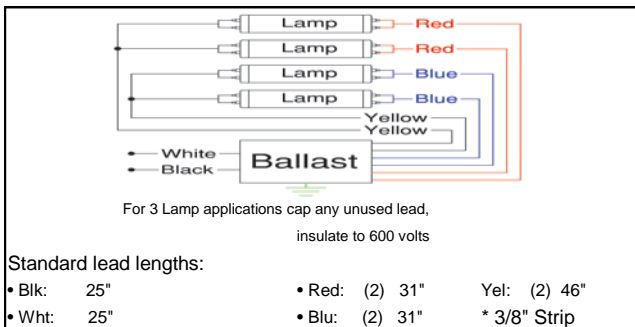
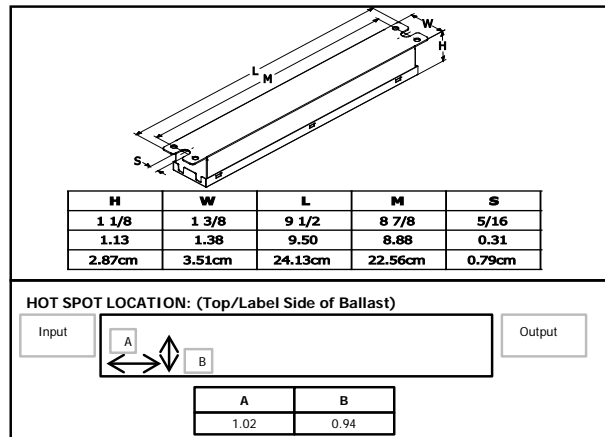
- High efficiency electronic ballast
- Instant Start
- Parallel operation
- High power factor
- Encased and potted
- Sound rated A
- Internal surge protection
- Meets ANSI standard C82.11 and ANSI standard C62.41
- Meets FCC Part 18 (Class A) EMI and RFI non-consumer limits

APPLICATION:

- Maximum case temperature: 167°F/75°C
- Maximum ambient temperature: 104°F/40°C
- Minimum starting temperature Std. lamps: 0°F/-18°C
- Minimum starting temperature ES lamps: 60°F/16°C
- Lamp starts: >15,000 starts
- Remote mounting: 18 ft.

SAFETY:

- UL935 (Class P, Type HL, Type 1 outdoor) listed
- CSA certified (cUL)
- Inherent Thermal Protection
- No PCB's
- RoHS Compliant

WIRING DIAGRAM: 047D

CASE STYLE: 12E

WARRANTY

Robertson Worldwide warrants to the purchaser that this ballast will be free from defects in material or workmanship for a period of 5 years from date of manufacture when properly installed and under normal conditions of use. For more information on Robertson Worldwide's ballasts, call 1-800-323-5633 or visit www.robertsonww.com. Specifications subject to change without notice.

Revised 12/18/2012

ROBERTSON WORLDWIDE

13611 Thornton Rd, Blue Island, IL 60406, TEL: 1-800-323-5633, FAX: 1-877-388-2420, www.robertsonww.com