

## ISA332T8HEMV

Ballast Type:	Electronic	Starting Method:	Instant Start	Unit Weight:	1.1 lbs.
Input Voltage:	120-277VAC ±10%	Lamp Connection:	Parallel	Carton Quantity:	20
Input Frequency:	50/60 Hz.	Unit Color:	Black	Skid Quantity:	1200

### ELECTRICAL SPECIFICATION:

Line Voltage (V)	Lamp Type	Lamp Watts	No. of Lamps	Line Current (A)	Input Power (W)	Power Factor	Max Current THD (%)	Current Crest Factor	Ballast Factor	Wiring Diagram	B.E.F.
120	F32T8*	32	3	0.71	85	≥0.99	≤10	≤1.7	0.92	046F	1.08
277	F32T8U*			0.31	86	≥0.99	≤10	≤1.7	0.92	046F	1.07
120	F32T8/ES/30	30	3	0.66	79	≥0.99	≤10	≤1.7	0.86	046F	1.09
277				0.29	79	≥0.99	≤10	≤1.7	0.87	046F	1.10
120	F32T8/ES/28*	28	3	0.61	72	≥0.99	≤10	≤1.6	0.87	046F	1.21
277				0.27	73	≥0.98	≤10	≤1.6	0.87	046F	1.19
120	F32T8/ES/25*	25	3	0.54	66	≥0.99	≤10	≤1.6	0.88	046F	1.33
277				0.25	67	≥0.98	≤10	≤1.6	0.89	046F	1.33
120	F28T8*	28	3	0.61	72	≥0.99	≤10	≤1.6	0.87	046F	1.21
277	F28T8U*			0.27	73	≥0.98	≤10	≤1.6	0.87	046F	1.19
120	F25T8	25	3	0.55	66	≥0.99	≤10	≤1.6	0.94	046F	1.42
277	F25T8U			0.24	67	≥0.98	≤10	≤1.6	0.95	046F	1.42
120	F17T8	17	3	0.39	46	≥0.99	≤10	≤1.6	0.98	046F	2.13
277	F17T8U			0.18	47	≥0.97	≤10	≤1.6	0.99	046F	2.11
120	F40T8	40	2	0.65	77	≥0.99	≤10	≤1.6	0.99	046F	1.29
277				0.29	78	≥0.98	≤10	≤1.6	1.00	046F	1.28
120	F32T8	32	2	0.53	64	≥0.99	≤10	≤1.6	1.01	046F	1.58
277				F32T8U	0.24	65	≥0.98	≤10	≤1.6	1.02	046F
120	F32T8/ES/30	30	2	0.49	59	≥0.99	≤10	≤1.6	0.93	046F	1.58
277				0.22	60	≥0.98	≤10	≤1.6	0.94	046F	1.57
120	F32T8/ES/28	28	2	0.46	55	≥0.99	≤10	≤1.6	0.95	046F	1.73
277				0.20	54	≥0.97	≤12	≤1.6	0.94	046F	1.74
120	F32T8/ES/25	25	2	0.42	50	≥0.99	≤10	≤1.6	0.96	046F	1.92
277				0.19	50	≥0.97	≤12	≤1.6	0.97	046F	1.94
120	F28T8	28	2	0.46	55	≥0.99	≤10	≤1.6	0.95	046F	1.73
277	F28T8U			0.20	54	≥0.97	≤12	≤1.6	0.94	046F	1.74
120	F25T8	25	2	0.43	66	≥0.99	≤10	≤1.6	1.05	046F	1.59
277	F25T8U			0.19	67	≥0.97	≤12	≤1.6	1.06	046F	1.58

\*Meets NEMA Premium/CEE Standards for Energy Efficiency

### PERFORMANCE:

- High efficiency electronic ballast
- Instant Start
- Parallel operation
- High power factor
- Encased and potted
- Sound rated A
- Internal surge protection
- Meets ANSI standard C82.11 and ANSI standard C62.41
- Meets FCC Part 18 (Class A) EMI and RFI non-consumer limits

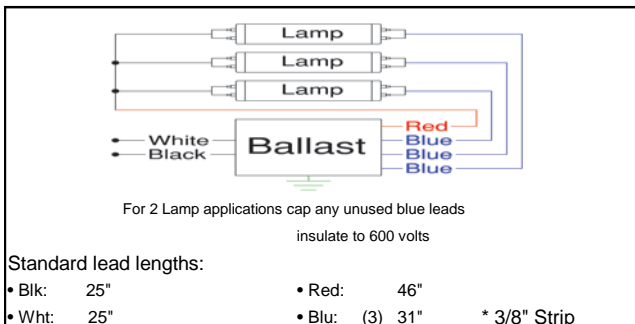
### APPLICATION:

- Maximum case temperature: 167°F/75°C
- Maximum ambient temperature: 104°F/40°C
- Minimum starting temperature Std. lamps: 0°F/-18°C
- Minimum starting temperature ES lamps: 60°F/16°C
- Lamp starts: >15,000 starts
- Remote mounting: 18 ft.

### SAFETY:

- UL935 (Class P, Type HL, Type 1 outdoor) listed
- CSA certified (cUL)
- Inherent Thermal Protection
- No PCB's
- RoHS Compliant

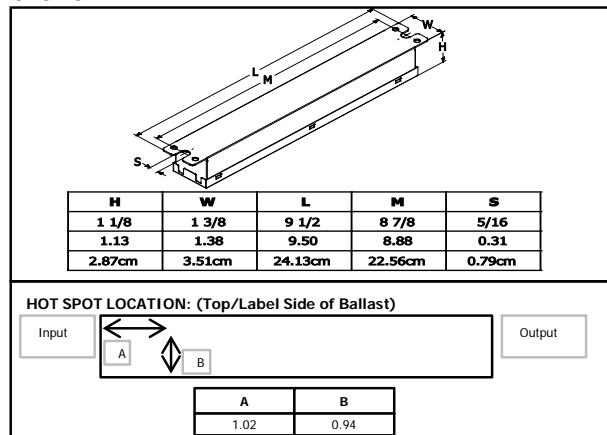
### WIRING DIAGRAM: 046F



### WARRANTY

Robertson Worldwide warrants to the purchaser that this ballast will be free from defects in material or workmanship for a period of 5 years from date of manufacture when properly installed and under normal conditions of use. For more information on Robertson Worldwide's ballasts, call 1-800-323-5633 or visit [www.robertsonww.com](http://www.robertsonww.com). Specifications subject to change without notice.

### CASE STYLE: 12E



Revised 12/18/2012

### ROBERTSON WORLDWIDE

13611 Thornton Rd, Blue Island, IL 60406, TEL: 1-800-323-5633, FAX: 1-877-388-2420, [www.robertsonww.com](http://www.robertsonww.com)