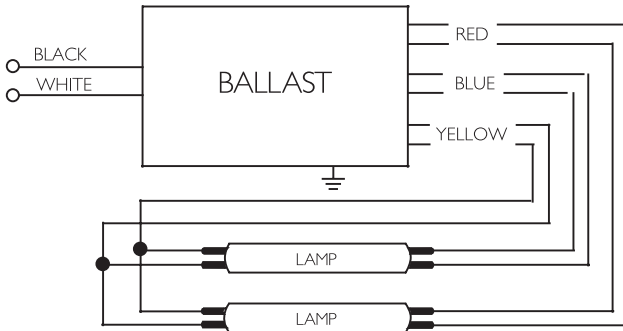


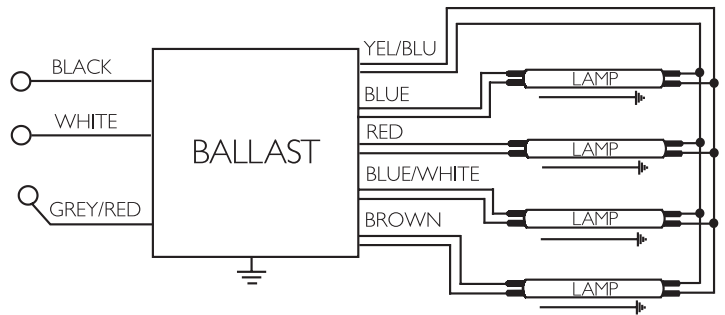
Acuity Brands Lighting with Cool Running Plus™ Technology

Number	Input Volts	Starting Method	Ballast Family	Catalog Number	Input Power ANSI Watts)	Ballast Factor	Max. THD %	Line Current (Amps)	Min. Starting Temp (F/C)	Dim.	Wiring Dia.
Philips F54T5/HO 49W Energy Advantage Lamps (at 100% output) - Extended 5-year Warranty											
1	120-277	PS	Optanium	ICRP-2PSP54-90C	57	1.00	10	0.47-0.21	-20/-29	B	78
2	120-277	PS	Optanium	ICRP-2PSP54-90C	109-105	1.00	10	0.91-0.38	-20/-29	B	78
3	120-277	PS	Optanium	ICRP-4PSP54-90C	162-159	1.00	10	1.35-0.58	-20/-29	G	79
4	120-277	PS	Optanium	ICRP-4PSP54-90C	214-208	1.00	10	1.79-0.76	-20/-29	G	79
Philips F54T5/HO 49W Energy Advantage Lamps (utilizing two level switching)											
2	120-277	PS	Optanium	ICRP-4PSP54-90C	97-96	0.85	10	0.81-0.36	-20/-29	B	79
F54T5/HO 54W - Standard Warranty											
1	120-277	PS	Optanium	ICRP-2PSP54-90C	60	1.00	10	0.50-0.22	-20/-29	B	78
2	120-277	PS	Optanium	ICRP-2PSP54-90C	117-114	1.00	10	0.98-0.41	-20/-29	B	78
3	120-277	PS	Optanium	ICRP-4PSP54-90C	176-174	1.00	10	1.47-0.83	-20/-29	G	79
4	120-277	PS	Optanium	ICRP-4PSP54-90C	235-229	1.00	10	1.96-0.83	-20/-29	G	79

Wiring Diagrams/Dimensions



Diag. 78



Diag. 79

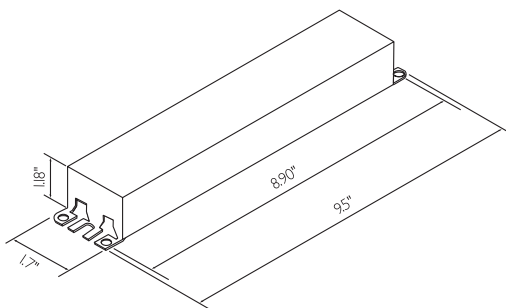


Fig. B

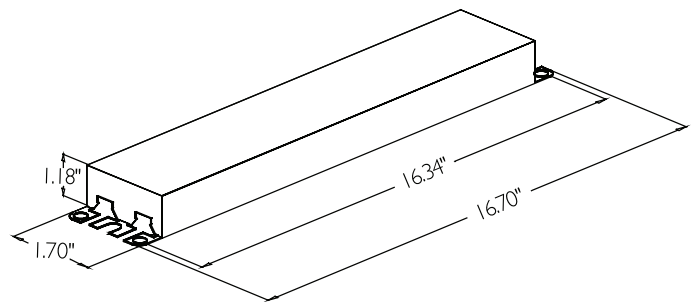


Fig. G