

## HPS1P • HPS1PBL5

Ballast Type:	Electromagnetic
Input Voltage:	120VAC +5%,-10%
Input Frequency:	60 Hz.

Starting Method:	Preheat
Lamp Connection:	Series
Unit Color:	White

Unit Weight:	0.80 lb.
Carton Quantity:	60/30
Skid Quantity:	1980/1800

**ELECTRICAL SPECIFICATION:**

Line Voltage (V)	Lamp Type	Lamp Watts	No. of Lamps	Line Current (A)	Input Power (W)	Power Factor	Max Current THD (%)	Current Crest Factor	Ballast Factor	Wiring Diagram	B.E.F.
120	CFT13W/GX23, CFQ13W/GX23	13	1	0.13	15	≥94	≤30	≤1.7	0.88	102	5..87

**PERFORMANCE:**

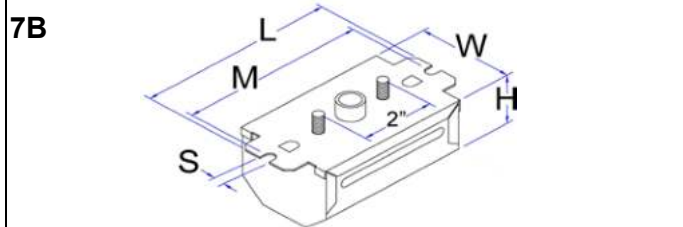
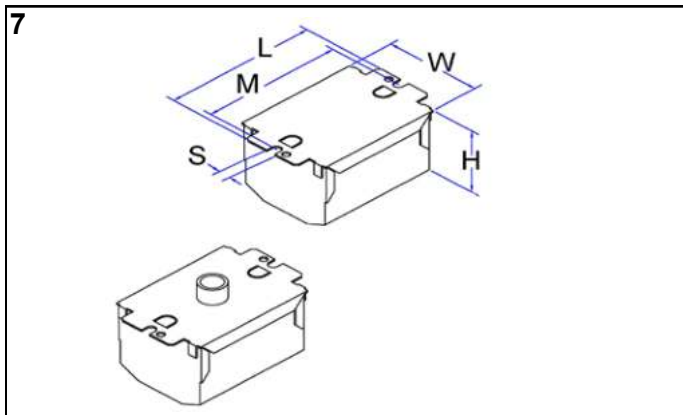
- Electromagnetic reactor type ballast
- Preheat start
- Series operation
- High power factor
- Encased & potted
- Sound rated A
- Meets ANSI standard C82.1

**APPLICATION:**

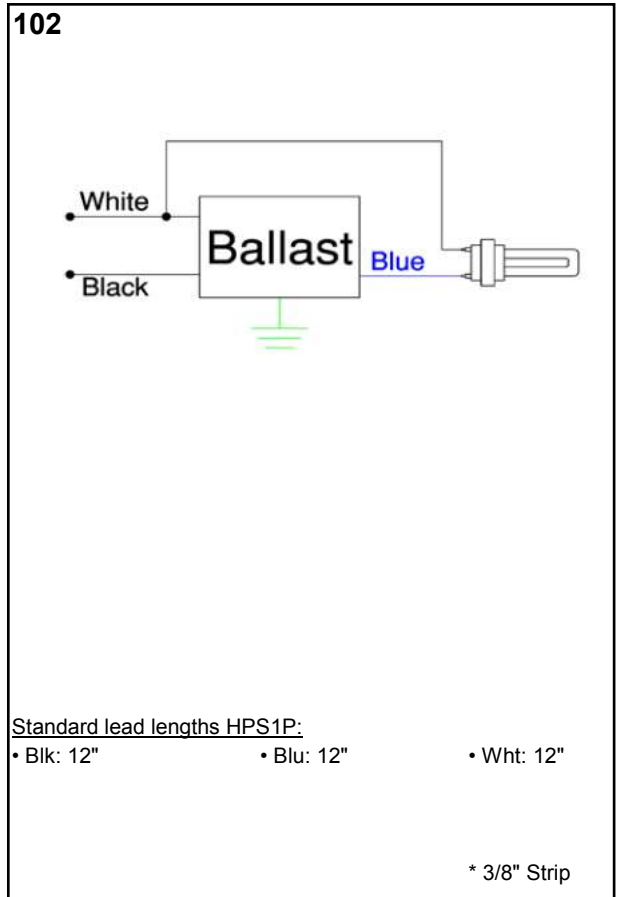
- Maximum case temperature: 194°F/90°C
- Maximum ambient temperature: 104°F/40°C
- Minimum starting temperature: 32°F/0°C
- Remote mounting: 10ft.

**SAFETY:**

- UL listed (Class P, Type HL, Type 1 outdoor)
- CSA/C22.2 Certified
- Automatic reset thermal protector
- No PCB's
- RoHS Compliant

**STYLE:**


	H	W	L	M	S
7	1 7/16	1 7/8	3	2 3/4	3/16
	1.44	1.88	3.00	2.75	0.19
	3.66cm	4.78cm	7.62cm	6.99cm	0.47cm
7B	1 7/16	1 15/16	4	3 3/4	7/32
	1.44	1.94	4.00	3.75	0.22
	3.66cm	4.93cm	10.16cm	9.53cm	0.56cm

**WIRING DIAGRAM:**

**WARRANTY**

Robertson Worldwide warrants to the purchaser that this ballast will be free from defects in material or workmanship for a period of 2 years from date of manufacture when properly installed and under normal conditions of use. For more information on Robertson Worldwide's ballasts, call 1-800-323-5633 or visit [www.robertsonww.com](http://www.robertsonww.com). Specifications subject to change without notice.

Revised 9/27/12

**ROBERTSON WORLDWIDE**

 13611 Thornton Rd, Blue Island, IL 60406, TEL: 1-800-323-5633, FAX: 1-877-388-2420, [www.robertsonww.com](http://www.robertsonww.com)