

HP218SP

Ballast Type:	Electromagnetic
Input Voltage:	120VAC +5%,-10%
Input Frequency:	60 Hz.

Starting Method:	Preheat
Lamp Connection:	Series
Unit Weight	2.95 lb.

ELECTRICAL SPECIFICATION:

Line Voltage (V)	Lamp Type	Lamp Watts	No. of Lamps	Line Current (A)	Input Power (W)	Power Factor	Max Current THD (%)	Current Crest Factor	Ballast Factor	Wiring Diagram	B.E.F.
120	CFQ18W/G24d, CFTR18W/GX24d	18	2*	0.37	42	≥0.95	≤30	≤1.7	0.95	112	2.26

NOTE: *Lamps are connected in series

PERFORMANCE:

- Electromagnetic lead type ballast
- Preheat start
- Series operation
- High power factor
- Encased & potted
- Sound rated A
- Meets ANSI C82.1

APPLICATION:

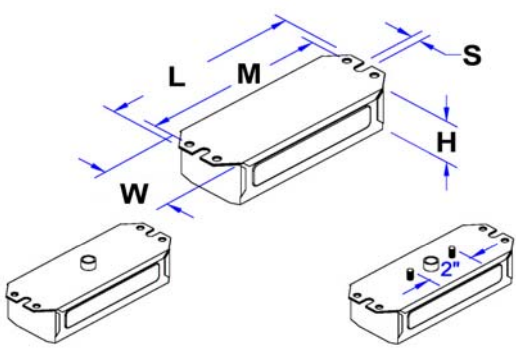
- Maximum case temperature: 194°F/90°C
- Maximum ambient temperature: 104°F/40°C
- Minimum starting temperature: 25°F/-4°C
- Remote mounting: 10 ft.

SAFETY:

- UL listed (Class P, Type HL, Type 1 outdoor)
- CSA/C22.2 Certified
- Automatic reset thermal protector
- No PCB's
- RoHS Compliant

STYLE:

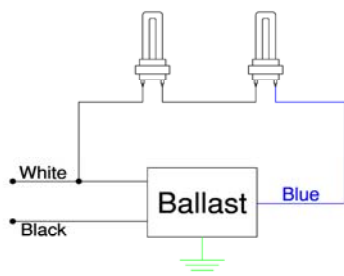
10



H	W	L	M	S
1 11/16	2 3/8	6 9/16	6	5/16
1.69	2.38	6.56	6.00	0.31
2.71cm	6.03cm	16.66cm	15.24cm	0.79cm

WIRING DIAGRAM:

112



Standard lead lengths:

- Blk: 8"
- Wht: 8"
- Blu: 8"

* 3/8" Strip

WARRANTY

Robertson Worldwide warrants to the purchaser that this ballast will be free from defects in material or workmanship for a period of 2 years from date of manufacture when properly installed and under normal conditions of use. For more information on Robertson Worldwide's ballasts, call 1-800-323-5633 or visit www.robertsonww.com. Specifications subject to change without notice.

Revised 6-18-2012

ROBERTSON WORLDWIDE

13611 Thornton Rd, Blue Island, IL 60406, TEL: 1-800-323-5633, FAX: 1-877-388-2420, www.robertsonww.com