

BLU0100A04900

Ballast Type: Electromagnetic
 Input Voltage: 120VAC±5%
 Input Frequency: 60 Hz.

Circuit Type: Reactor
 Lamp Type: High Pressure Sodium
 Unit Color: Raw

Weight: 3.42 lb.
 Carton Quantity: Individual / 8 Master
 Skid Quantity: 528

ELECTRICAL SPECIFICATION:

Line Voltage (V)	ANSI Lamp Type	Lamp Watts	Line Current (A)			Input Power (W)	Power Factor	Nominal Open Circ. Volt.	Wiring Diagram
			Operating	Open Circuit	Starting				
120	S54-100W	100	2.30	0	3.10	110	≤0.50	120	301

PERFORMANCE:

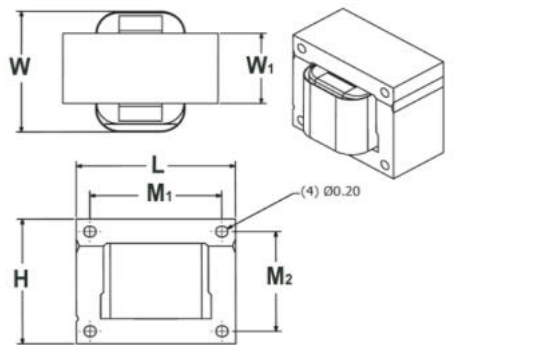
- Electromagnetic reactor
- Normal power factor
- Open Core & Coil
- Class H Insulation (180°C)

APPLICATION:

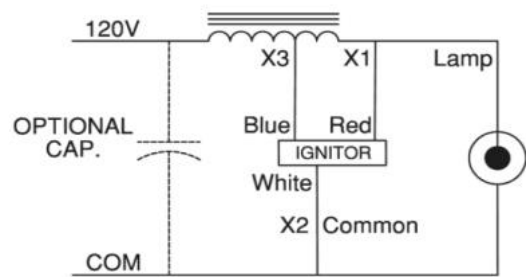
- Minimum starting temperature: -40°F/-40°C
- Remote mounting (ballast to lamp): 5ft.

SAFETY:

- UL/1029 Recognized component
- CSA/C22.2 certified
- UL Coil Temperature Code: A
- RoHS Compliant

STYLE:
401


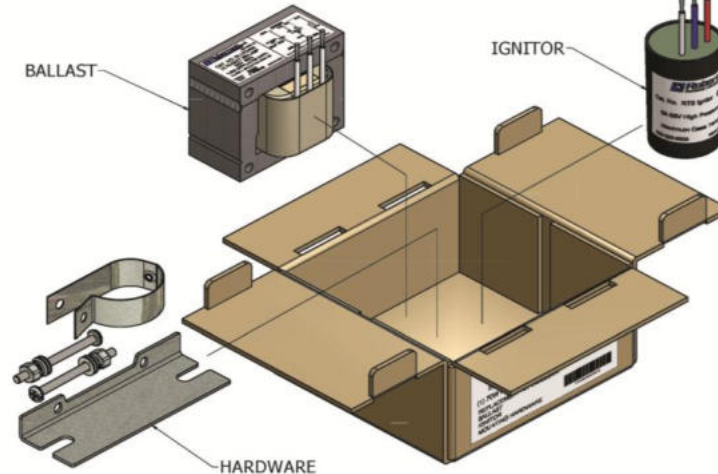
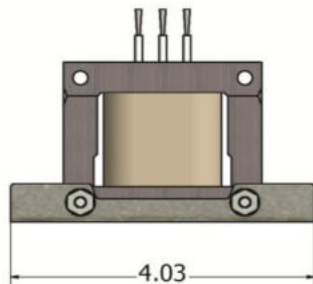
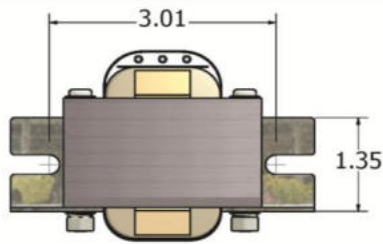
H	L	W	W1	M1	M2
2 1/4	2 5/8	2 23/32	1 4/7	2 3/16	1 3/4
2.25	2.63	2.72	1.54	2.19	1.75
5.70 cm	6.68 cm	6.91 cm	3.90 cm	5.56 cm	4.45 cm

WIRING DIAGRAM:
301


Standard lead lengths: 12" 1/2" Strip

BALLAST KIT INCLUDES:

- | | |
|--------------------------------|---------------------------------|
| 1 BALLAST | 2 MACHINE SCREWS # 8-32 |
| 1 MOUNTING BRACKET (BALLAST) | 2 HEX MACHINE SCREW NUTS # 8-32 |
| 1 CYLINDRICAL IGNITOR (698003) | 2 LOCK WASHERS |
| 1 MOUNTING STRAP (IGNITOR) | 4 FLAT WASHERS |


WARRANTY

Robertson Worldwide warrants to the purchaser that this ballast will be free from defects in material or workmanship for a period of 2 years from date of manufacture when properly installed and under normal conditions of use. For more information on Robertson Worldwide's ballasts, call 1-800-323-5633 or visit www.robertsonww.com. Specifications subject to change without notice.

Revised 9/22/2011

ROBERTSON WORLDWIDE

 13611 Thornton Rd, Blue Island, IL 60406, TEL: 1-800-323-5633, FAX: 1-877-388-2420, www.robertsonww.com