

013B1RC

Ballast Type: Electromagnetic
 Input Voltage: 120VAC+5%,-10%
 Input Frequency: 60 Hz.

Starting Method: Preheat
 Lamp Connection: Series
 Unit Weight: 0.44 lbs

ELECTRICAL SPECIFICATION:

Line Voltage (V)	Lamp Type	Lamp Watts	No. of Lamps	Line Current (A)	Input Power (W)	Power Factor	Max Current THD (%)	Current Crest Factor	Ballast Factor	Wiring Diagram
120	CFT13W/GX23, CFQ13W/GX23	13	1	0.26	16	≥0.50	<15%	<1.7	0.90	101

PERFORMANCE:

- Electromagnetic reactor type ballast
- Normal power factor
- Series operation
- Sound rated A
- Open core and coil
- Meets ANSI C82.1

APPLICATION:

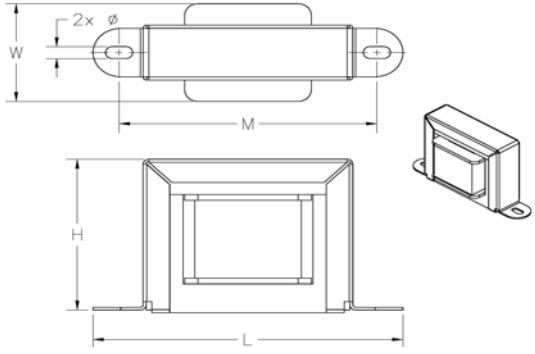
- Maximum case temperature: 194°F/90°C
- Maximum ambient temperature: 104°F/40°C
- Minimum starting temperature: 32°F/0°C
- Remote mounting: 10ft.

SAFETY:

- UL/935 (Type 1 outdoor) recognized component
- CSA/C22.2 certified
- No PCB's

STYLE:

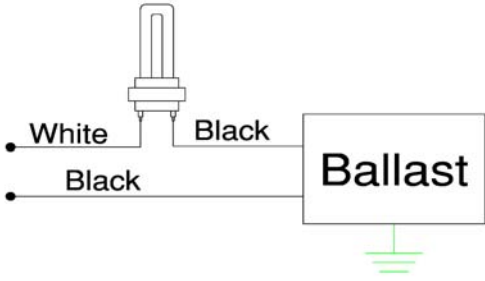
1G



H	W	L	M	Ø
1 3/8	1 9/32	2 1/2	2 1/16	3/16
1.38	1.28	2.50	2.06	0.19
3.49 cm	3.25 cm	6.35 cm	5.23 cm	0.47 cm

WIRING DIAGRAM:

101



Standard lead lengths:
 • Blk: 7x 15"

* 3/8" Strip

WARRANTY

Robertson Worldwide warrants to the purchaser that this ballast will be free from defects in material or workmanship for a period of 2 years from date of manufacture when properly installed and under normal conditions of use. For more information on Robertson Worldwide's ballasts, call 1-800-323-5633 or visit www.robertsonww.com. For our energy star compliant ballasts, visit www.nema.org/lampballastmatrix

Revised 07/02/04

ROBERTSON WORLDWIDE

13611 Thornton Rd, Blue Island, IL 60406, TEL: 1-800-323-5633, FAX: 1-877-388-2420, www.robertsonww.com