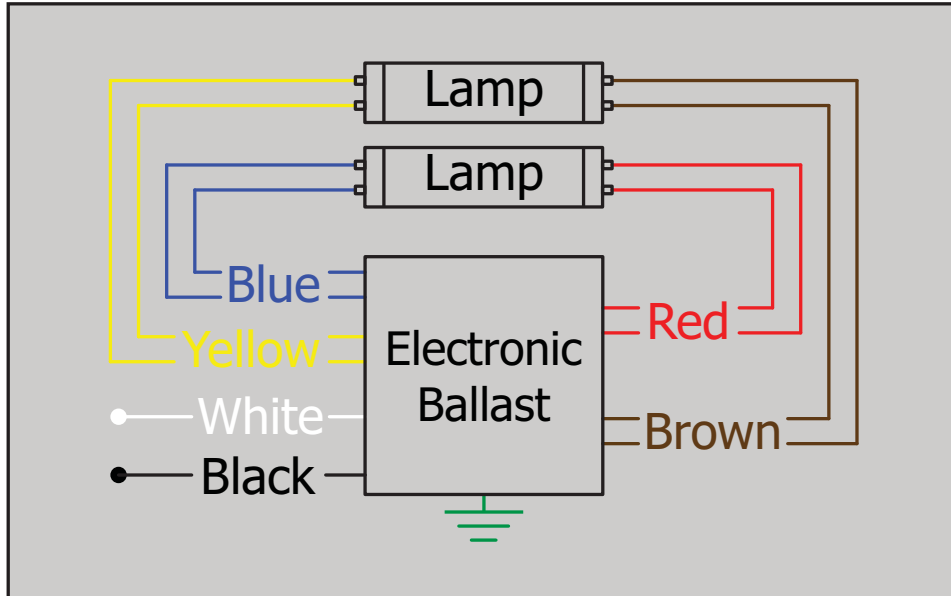
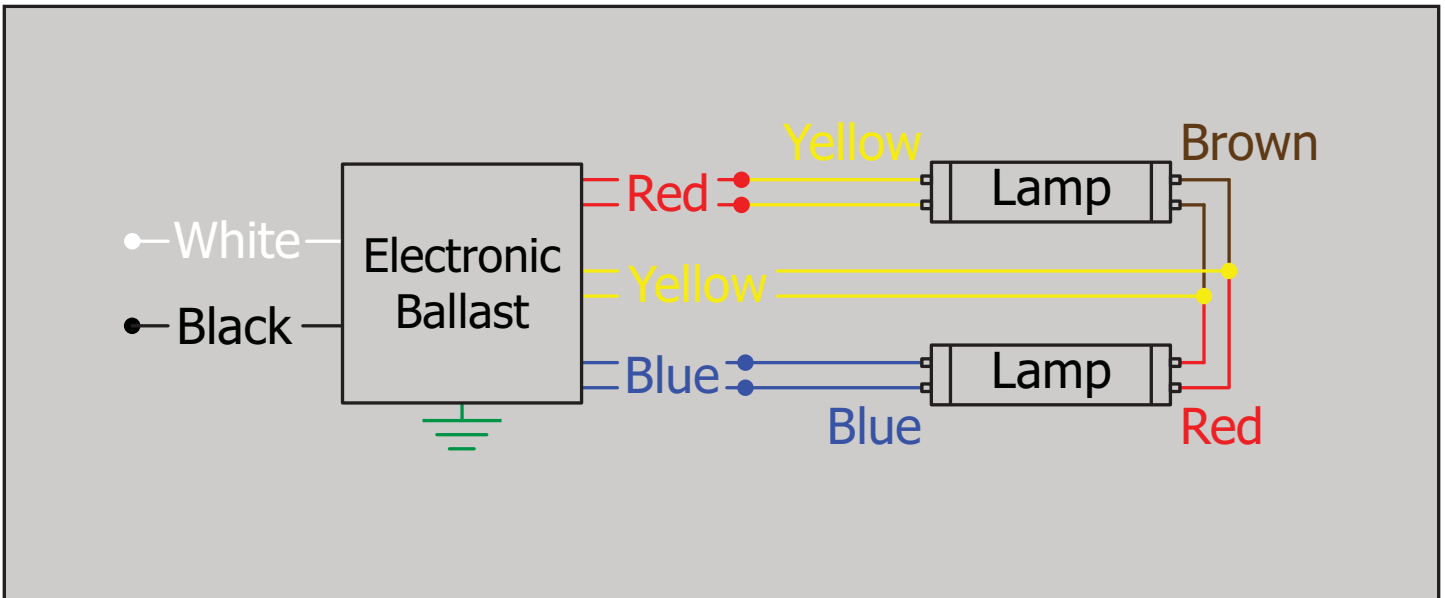


Wiring Diagram for 10-Wire to 8-Wire
Electronic Pre-Heat Rapid Start Ballasts

Two Lamp 10-WIRE Wiring Diagram



Two Lamp 8-WIRE Wiring Diagram



Note: Always disconnect power to lighting fixture before servicing.