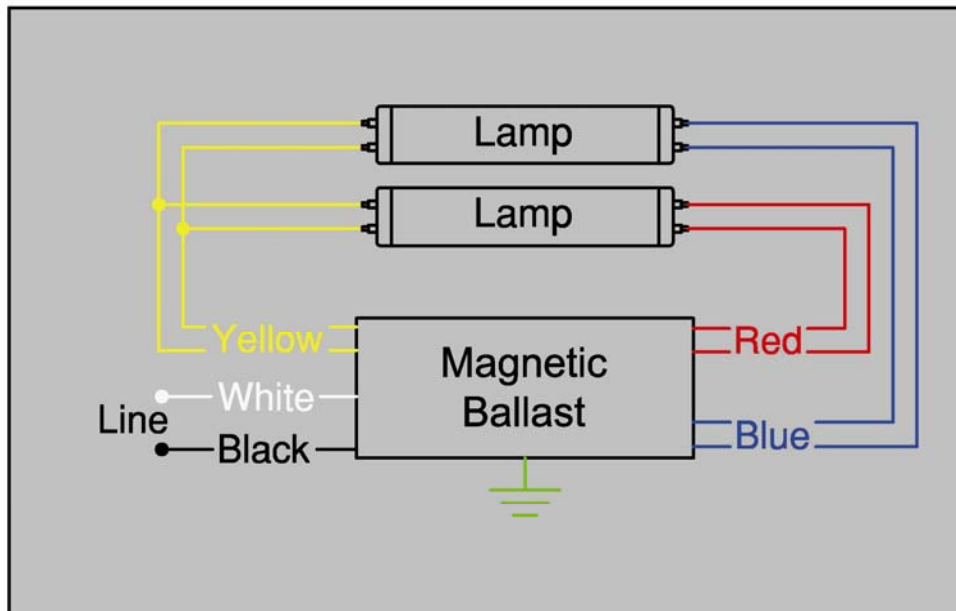
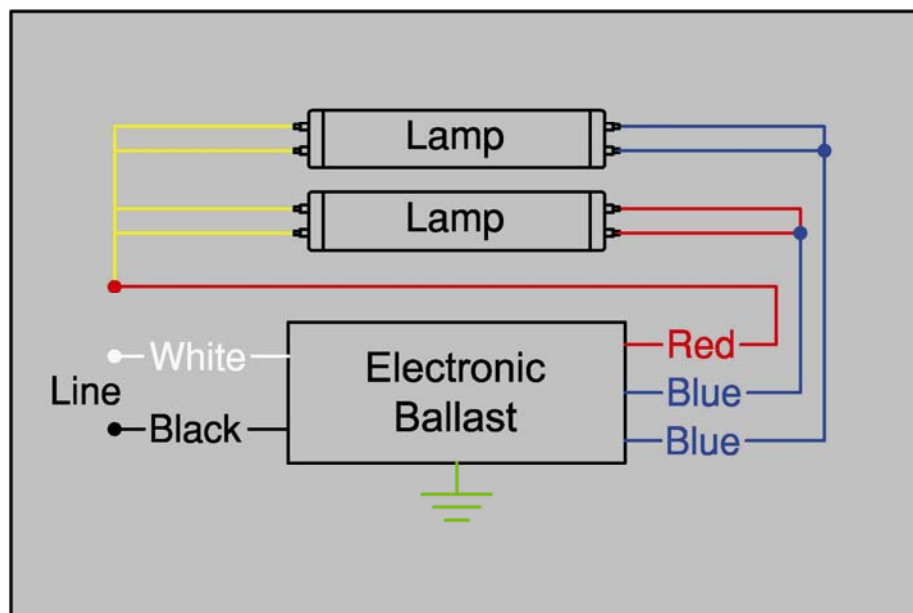


Wiring Diagram for Retrofitting 120V & 277V Magnetic Rapid Start Ballasts to Electronic Instant Start Ballast

Magnetic Rapid Start Wiring Diagram



Electronic Instant Start Wiring Diagram



Notes: Always disconnect power to lighting fixture before servicing the fixture.