

## IAQ264G6MV

Ballast Type: Electronic  
Input Voltage: 100-240Vac ±10%  
Input Frequency: 50/60Hz

Starting Method: Instant Start  
Lamp Connection: Parallel  
Housing: 22ga 5052 H43 Aluminum

Weight: 3.50 lbs.  
Carton Qty: 6  
Skid Qty: 288

**ELECTRICAL SPECIFICATIONS:**

Line Voltage (V)	No. of Lamps	Lamp Type	Typical Lamp Watts (W)	Arc Voltage (V)	Arc Current (mA)	Line Current (A)	Input Power (W)	Power Factor	Max Current THD (%)	Current Crest Factor	Electrical Efficiency
100	2	G64T5	75	176	425	1.70	169	≥0.98	≤10%	<1.60	0.89
120						1.40	167		≤10%		0.90
132						1.26	166		≤10%		0.91
240						0.69	165		≤10%		0.92
100	1	G64T5	75	176	425	0.84	84	≥0.97	≤10%	<1.60	0.89
120						0.70	83		≤10%		0.89
132						0.62	83		≤10%		0.90
240						0.35	82		≤10%		0.91
100	2	G36T5	39	92	425	0.95	95	≥0.95	≤10%	<1.60	0.87
120						0.79	95		≤10%		0.88
132						0.71	94		≤10%		0.88
240						0.41	94		≤10%		0.88
100	1	G36T5	39	92	425	0.47	48	≥0.93	≤10%	<1.60	0.87
120						0.39	47		≤10%		0.87
132						0.36	47		≤10%		0.88
240						0.21	47		≤10%		0.88

**ELECTRICAL**

- Start Time(sec): 1.3
- High Power Factor
- Ballast Shut Down at Open Load
- Internal Fuse
- Output Voltage U <300V
- End of Lamp Life Protection

**EMISSIONS** (Conducted and Radiated Emissions)

- EN 55011:1998 - Industrial, Scientific, and Medical (ISM) Radio-Frequency Equipment – Radio Disturbance Characteristics – Limits and Methods of Measurement
- Meets FCC Part 18-307C (Class B) for EMI and RFI Consumer Limits
- EN 61000-3-2 Limits for Harmonic Current Emissions
- EN 55015:2013/A1:2015

**PHYSICAL**

- Solid Single Leads
- UL1316 18AWG
- Lead Tolerance +1.00-0.50, Strip 0.375" +0.06
- FRG PCB Dbl Sided Plated Thru Holes
- ON/OFF Rocker Switch
- Two LED Lamp Indicators
- LED Power Good Indicator

**IMMUNITY PROTECTIONS**

- EN 61547:1995 Immunity standard for lighting equipment.
- ANSI C62.41 for Transient Immunity.
- EN 61000-4-2:2001 Electrostatic discharges (ESD) immunity.
- EN 61000-4-3:1996 Radiated electromagnetic field immunity.
- EN 61000-4-4:1995 Electrical fast transients (EFT)/Burst immunity.
- EN 61000-4-5:1995 Surge transient immunity.
- EN 61000-4-6:1996 Immunity to RF conducted disturbances.
- EN 61000-4-8:1993 Power Frequency magnetic field immunity test.
- EN 61000-4-11:1994 Voltage dips, short interruptions and voltage variations (Tables 2&3 below) in accordance with the provisions of the 89/336/EEC EMC-directive, including amd. 92/31/EEC and 93/68/EEC.
- EN 61000-6-2: 2001 (reference document EN 61000-4-5), including surges to 2.0kV between phase to neutral (differential mode) and 4.0kV between phase to earth and neutral to earth (common mode).
- EN 61000-4-11 Voltage Supply Immunity

Condition	Duration	Reaction
30% Reduction of Minimum Vin	10mSec	Luminance Reduction allowed
60% Reduction of Minimum Vin	100mSec	Luminance Reduction allowed
95% Reduction of Minimum Vin	5000mSec	Extinguish Permitted, but no driver damage
100% Reduction of Vin	3 Cycles	Luminance Reduction allowed

**SAFETY & CERTIFICATIONS**

- UL 935 (Class P, Type CC, Type1 Outdoor, Type HL)
- cULus, CE, CCC
- Leakage Current to UL/935 Standard
- EN 61347-1:2001
- EN 61347-2-1:2001
- EN 61347-2-3:2000
- RoHS EU Directive 2011/65/EU&2015/863 Amendment (RoHS 3)
- Anti-Arcing
- Output Short Circuit Protection
- Output Open Circuit Protection
- Restrike Attempts = 2
- Inrush Current <40 AMPS
- Meets ANSI Standard C62.41 for Transient Protection
- Meets ANSI Standard C82.11 for Ballast Requirements
- Sound Rated A

**APPLICATION**

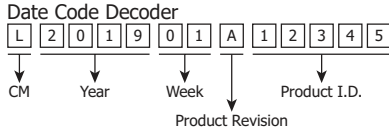
- Maximum Case Temperature 194°F/90°C
- Maximum Ambient Temperature 122°F/50°C
- Minimum Starting Temperature 0°F/-18°C
- Lamp Starts >50,000 Starts
- Remote Mounting 20 ft. Max. Lead Length, 18AWG Shielded or in Conduit

**WARRANTY:**

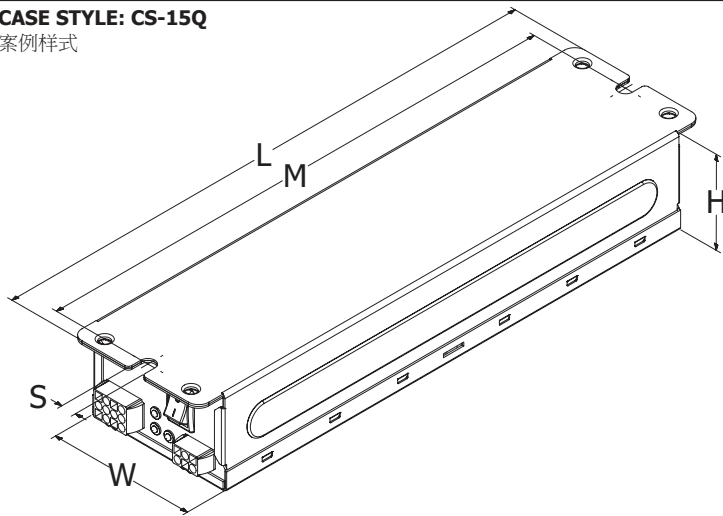
Robertson Worldwide warrants to the purchaser that this product will be free from defects in material or workmanship for a period of 5 years from date of manufacture when properly installed and under normal condition of use. Specifications subject to change without notice.  
For more information on Robertson Worldwide products, visit [www.RobertsonLighting.com](http://www.RobertsonLighting.com)

**IAQ264G6MV**

Click on image to view 3D model  
(Download and Open in [Adobe Reader 7](#) or later)

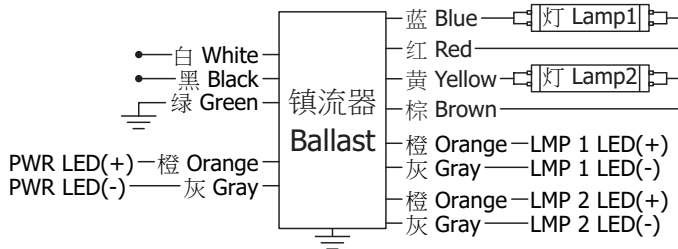


**CASE STYLE: CS-15Q**  
案例样式



L	W	H	M	S
11-11/16	3-1/8	1-15/16	11-1/8	5/16
11.69	3.11	1.93	11.10	0.32
29.7cm	7.9cm	4.9cm	28.2cm	0.81cm

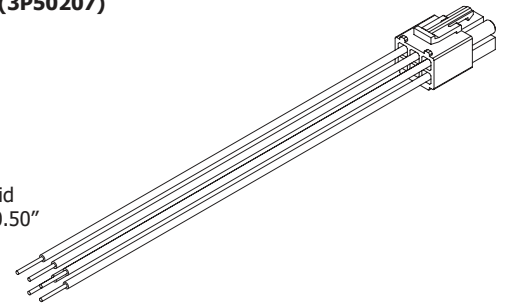
**WIRING DIAGRAM: WD-065A**  
接线图



For 1 Lamp Application Cap Any Unused Leads, Insulate to 600 Volts.

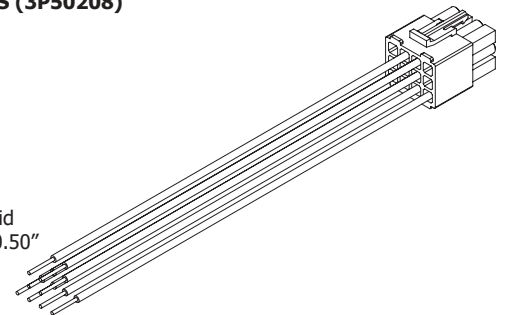
**INPUT WIRE HARNESS (3P50207)**  
输入线束

- 白 White 12"
- 黑 Black 12"
- 绿 Green 12"
- 橙 Orange 12"
- 灰 Gray 12"
- UL1316 18AWG 固体 Solid
- 宽容 Tolerance: +1.00,-0.50"
- 带 Strip: 0.375" ±0.060



**OUTPUT WIRE HARNESS (3P50208)**  
输出线束

- 蓝 Blue 12"
- 红 Red 12"
- 黄 Yellow 12"
- 棕 Brown 12"
- 橙 Orange (2) 12"
- 灰 Gray (2) 12"
- UL1316 18AWG 固体 Solid
- 宽容 Tolerance: +1.00,-0.50"
- 带 Strip: 0.375" ±0.060



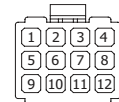
**CONNECTOR WIRE LAYOUT**  
连接器线布局

输入 INPUT



1. 绿 Green (地面 Ground)
2. 黑 Black (火线 Live)
3. 橙 Orange (输入 PWR LED+)
4. NC
5. 白 White (零线 Neutral)
6. 灰 Gray (输入 PWR Led-)

输出 OUTPUT



1. NC
2. 蓝 Blue (灯 Lamp1)
3. 红 Red (灯 Lamp1)
4. NC
5. NC
6. 黄 Yellow (灯 Lamp2)
7. 棕 Brown (灯 Lamp2)
8. NC
9. 灰 Gray (输出 LMP LED2-)
10. 橙 Orange (输出 LMP LED2+)
11. 灰 Gray (输出 LMP LED1-)

**WARRANTY:**

Robertson Worldwide warrants to the purchaser that this product will be free from defects in material or workmanship for a period of 5 years from date of manufacture when properly installed and under normal condition of use. Specifications subject to change without notice.

For more information on Robertson Worldwide products, visit [www.RobertsonLighting.com](http://www.RobertsonLighting.com)