

SP2PW

Ballast Type: Electromagnetic
 Input Voltage: 120VAC+5%,-10%
 Input Frequency: 60 Hz.

Starting Method: Preheat
 Lamp Connection: Series
 Unit Color: White

Unit Weight: 0.6 lb.
 Carton Quantity: 50
 Skid Quantity: 3000

ELECTRICAL SPECIFICATION:

Line Voltage (V)	Lamp Type	Lamp Watts	No. of Lamps	Line Current (A)	Input Power (W)	Power Factor	Max Current THD (%)	Current Crest Factor	Ballast Factor	Wiring Diagram	B.E.F.
120	CFT13W/GX23 CFQ13W/GX23	13	1	0.29	18	≥0.50	≤10	≤1.7	1.00	101	5.56
120	F20T12	20	1	0.29	20	≥0.57	≤10	≤1.6	0.77	001	3.85
120	F15T12	15	1	0.33	20	≥0.51	≤12	≤1.6	1.00	001	5.00
120	F14T12	14	1	0.35	20	≥0.47	≤15	≤1.6	0.92	001	4.63
120	F15T8	15	1	0.31	19	≥0.50	≤10	≤1.6	1.02	001	5.37
120	F14T8	14	1	0.33	19	≥0.49	≤15	≤1.6	0.88	001	4.63

PERFORMANCE:

- Electromagnetic reactor type ballast
- Preheat start
- Series operation
- Normal power factor
- Clamped core and coil
- Sound rated A
- Meets ANSI C82.1

APPLICATION:

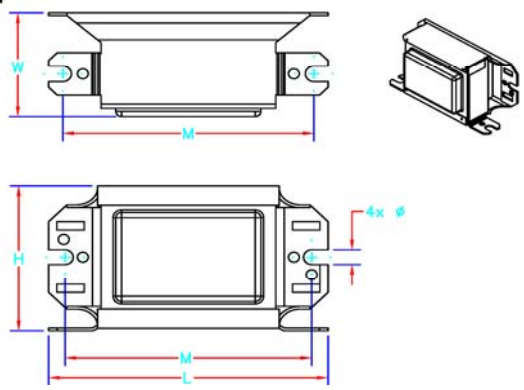
- Maximum case temperature: 194°F/90°C
- Maximum ambient temperature: 104°F/40°C
- Minimum starting temperature CFL: 32°F/0°C
- Minimum starting temperature Linear: 50°F/10°C
- Remote mounting: 10ft.

SAFETY:

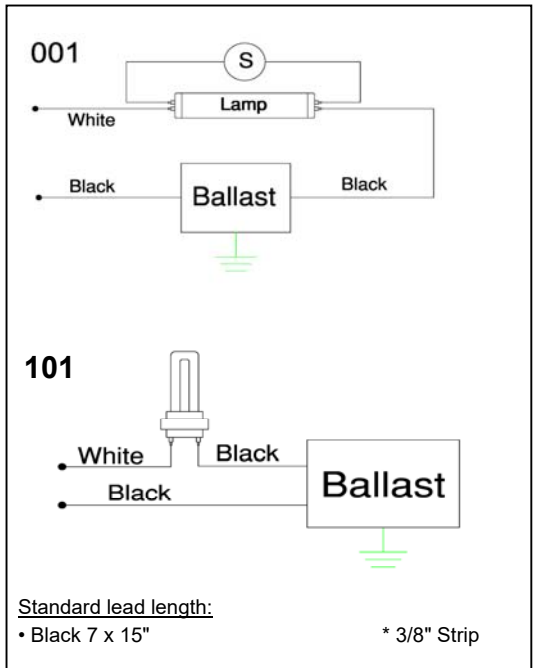
- UL/935 (Class P, Type 1 outdoor) listed
- CSA/C22.2 certified
- No PCB's
- RoHS Compliant

STYLE:

02



H	W	L	M	Ø
1 23/32	1 1/4	3 1/16	2 3/4	3/16
1.72	1.25	3.06	2.75	0.19
4.34 cm	3.18 cm	7.77 cm	6.99 cm	0.47 cm

WIRING DIAGRAM:

WARRANTY

Robertson Worldwide warrants to the purchaser that this ballast will be free from defects in material or workmanship for a period of 2 years from date of manufacture when properly installed and under normal conditions of use. For more information on Robertson Worldwide's ballasts, call 1-800-323-5633 or visit www.robertsonww.com. Specifications subject to change without notice.

Revised 12/17/10

ROBERTSON WORLDWIDE

 13611 Thornton Rd, Blue Island, IL 60406, TEL: 1-800-323-5633, FAX: 1-877-388-2420, www.robertsonww.com